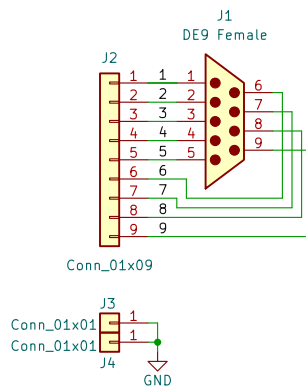


D-Sub Female Connector – DE9



Common Pinouts

RS232 + RS485 Pinout Male

Pin 1	Data Carrier Detect (DCD)
Pin 2	Received Data (RXD)
Pin 3	Transmit Data (TXD)
Pin 4	Data Terminal Ready (DTR)
Pin 5	Ground (GND)
Pin 6	Data Set Ready (DSR)
Pin 7	Request to send (RTS)
Pin 8	Clear to Send (CTS)
Pin 9	Ring Indicator (RI)

CAN bus Pinout

Pin 1	Shield
Pin 2	NC
Pin 3	GND
Pin 4	CAN-L
Pin 5	NC
Pin 6	VCC
Pin 7	NC
Pin 8	CAN-H
Pin 9	Optional GND



Designed by: Elias Santistevan

SparkFun Electronics

Sheet: /

File: SparkFun_DE9_Female_Breakout.kicad_sch

Title: SparkFun DB9 Breakout

Size: USLetter

Date:

Rev: v10

KiCad E.D.A. 9.0.4

Id: 1/1