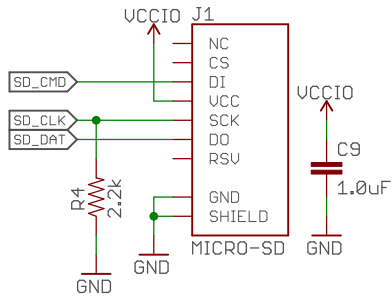
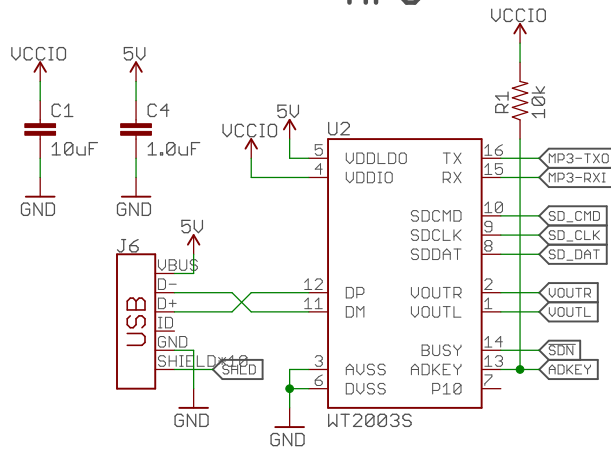


µSD

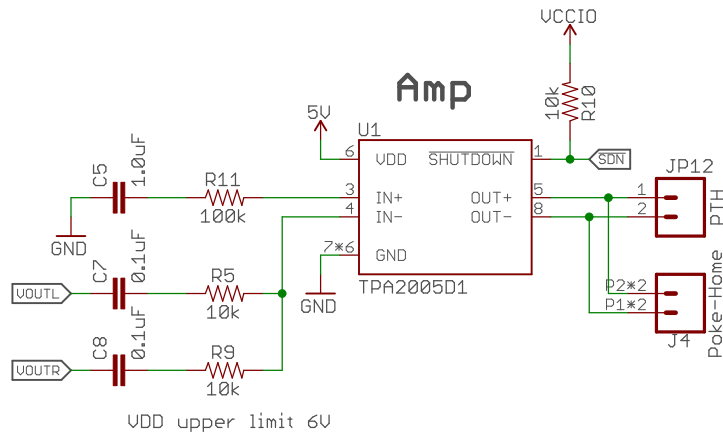
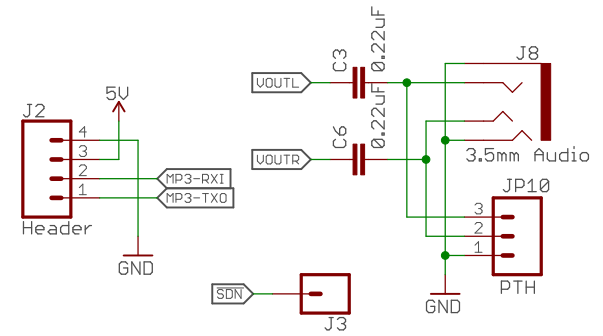


MP3

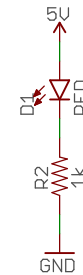


VIN 3.0V to 5.5V, has onboard regulator that can supply 150 mA

Connections



VDD upper limit 6V



Note:
This board has the supply labelled as 5V in order to prevent confusion when plugged into USB. It is possible to power the board from 3V3 but keep in mind that using both 3V3 and USB is not a good idea.



Released under the Creative Commons Attribution Share-Alike 4.0 License
<https://creativecommons.org/licenses/by-sa/4.0/>



TITLE: MP3 Breakout

Design by: O. Lyke

REV:
X01

Date: 7/5/2018 11:31 AM

Sheet: 1/1