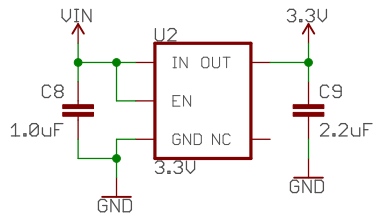
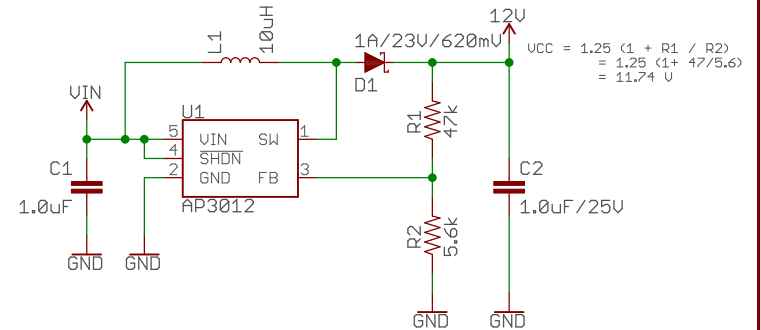


### 3.3V Voltage Regulator



VIN range: 2.6 - 5.5V  
 (Low limit: AP3012,  
 High limit: TXB0104)

### 12V Boost

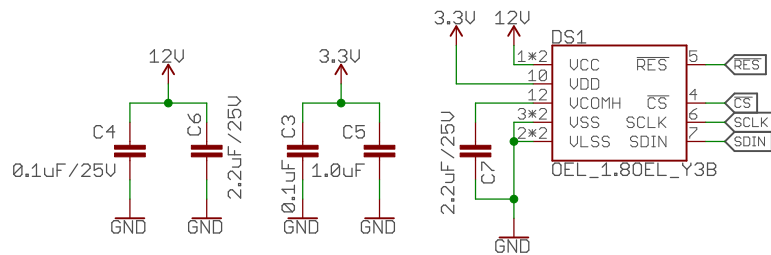


$$U_{CC} = 1.25 (1 + R1 / R2)$$

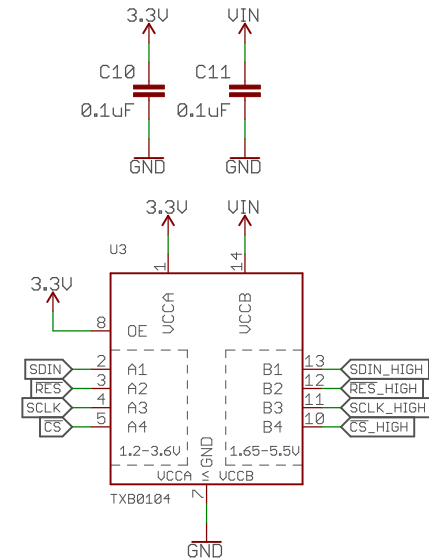
$$= 1.25 (1 + 47/5.6)$$

$$= 11.74 \text{ V}$$

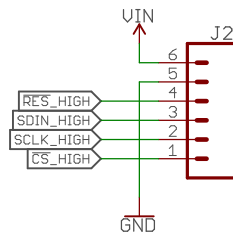
### 1.81" Flexible OLED



### Level Shifting



### Pin Breakouts



Released under the Creative Commons  
 Attribution Share-Alike 4.0 License  
<https://creativecommons.org/licenses/by-sa/4.0/>

TITLE: 1.81\_Greyscale\_OLED\_Breakout

Design by: N. Seidle

REV:  
X11

Date: 11/21/2017 11:06 AM

Sheet: 1/1