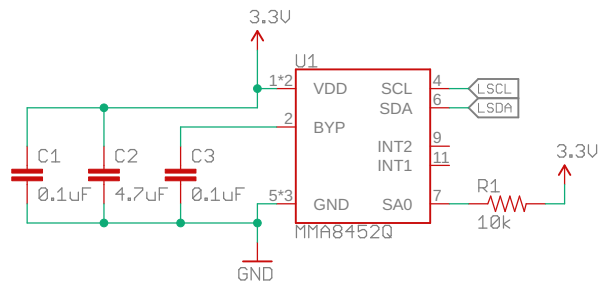
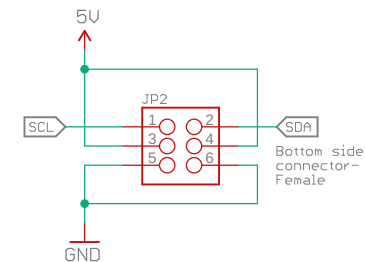
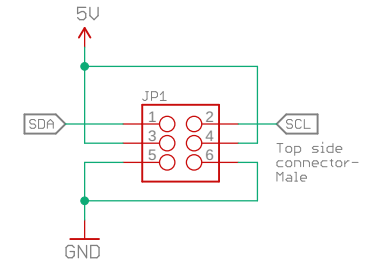


MMA8452Q Accelerometer



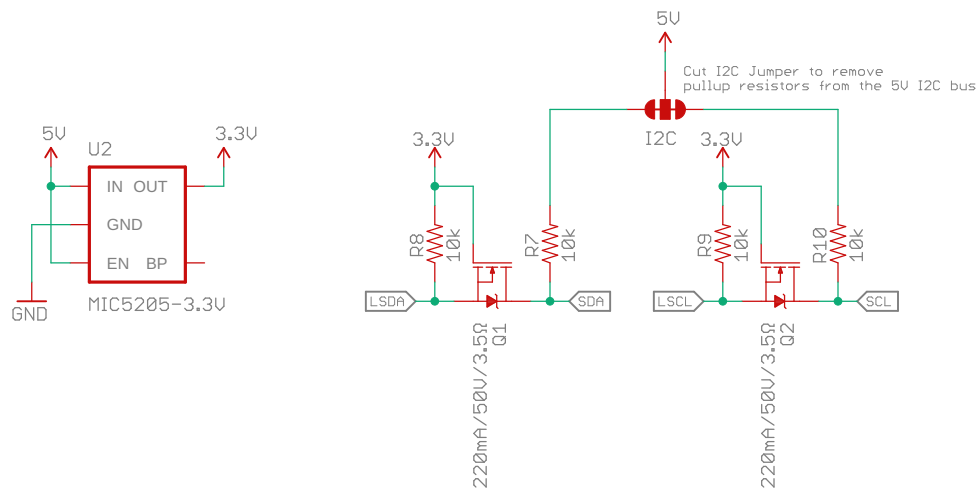
7-bit Unshifted I2C Address: 0x1D

I2C Connections



5U -> 3.3V Conversion

VIN: 2.5-16V



Released under the Creative Commons Attribution Share-Alike 4.0 License
<https://creativecommons.org/licenses/by-sa/4.0/>

TITLE: RedBot Accelerometer

Design by: M. Hord
 Revised by: Patrick Alberts, Andy England

REV: v14

Date: not saved! Sheet: 1/1