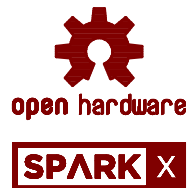
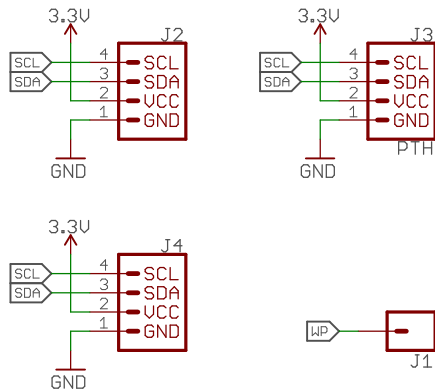
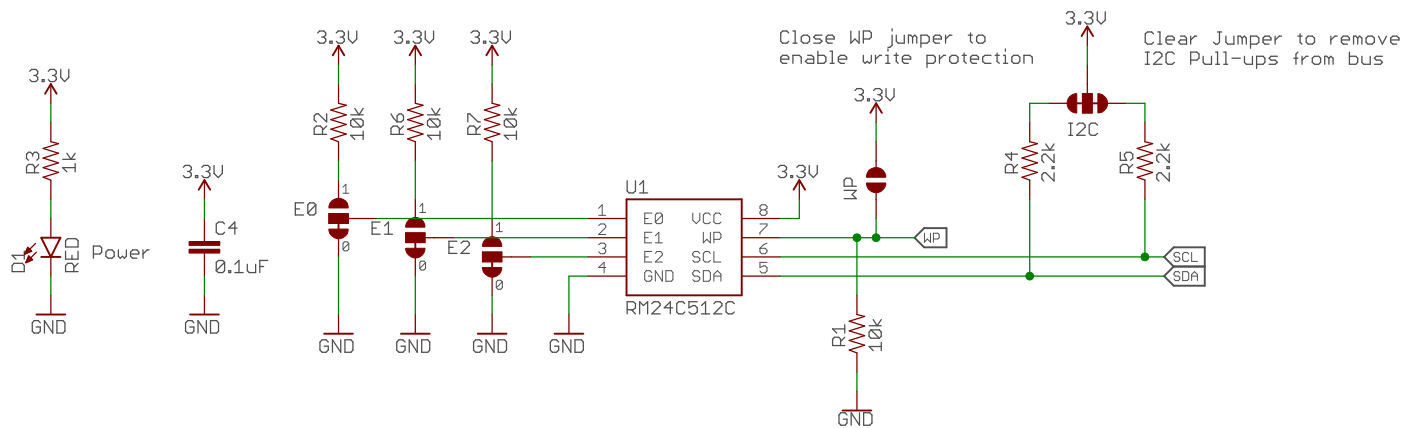


E2	E1	E0	ADDRESS
0	0	0	0x50
0	0	1	0x51
0	1	0	0x52
0	1	1	0x53
1	0	0	0x54
1	0	1	0x55
1	1	0	0x56
1	1	1	0x57

7-bit unshifted I2C address: 0x5(E2,E1,E0)
 Default: 0x50



Released under the Creative Commons Attribution Share-Alike 4.0 License
<https://creativecommons.org/licenses/by-sa/4.0/>

TITLE: Qwiic EEPROM

Design by: Ciara Jekel

Date: 6/13/2018 4:56 PM

REV: X01

Sheet: 1/1