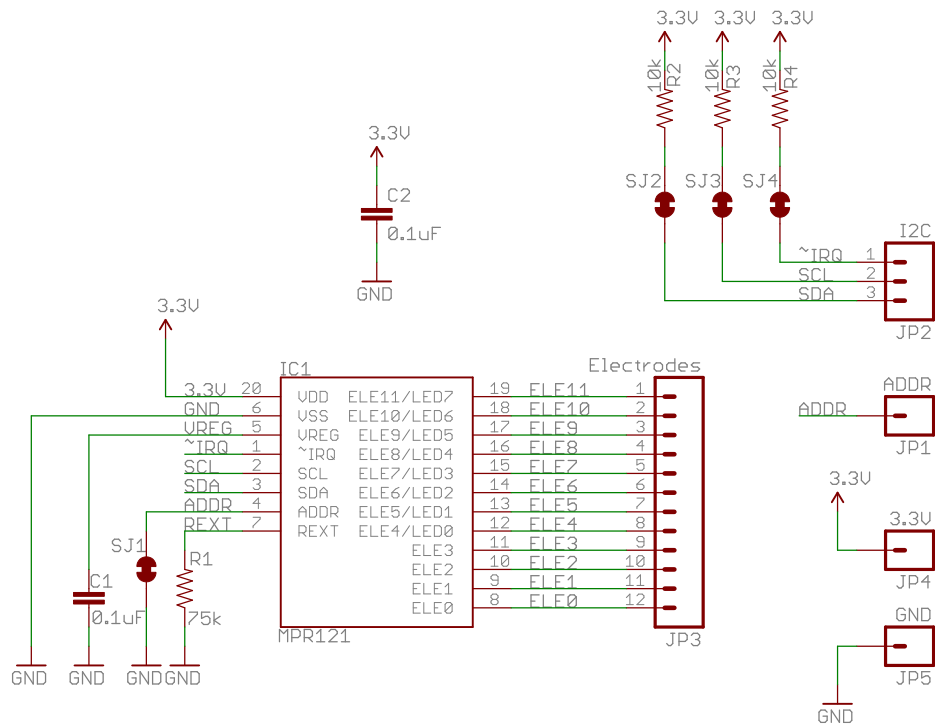


ADDR = 0, I2C address is 0x5A



Released under the Creative Commons Attribution Share-Alike 3.0 License http://creativecommons.org/licenses/by-sa/3.0			⊗ ⊗
TITLE: MPR121-Breakout		SFE	
Design by: J. Lindblom			REV: v13
Date: 11/26/2013 1:55:27 PM		Sheet: 1/1	