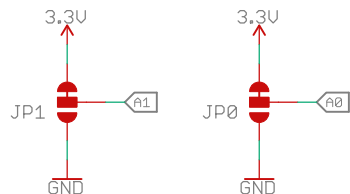


I²C

Address Bit Selection



Default address: 0x45 (unshifted)
When no jumpers are changed

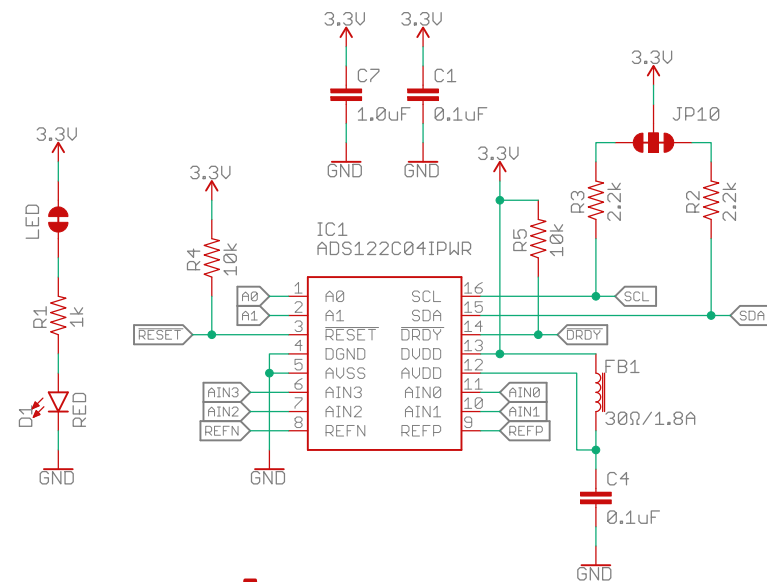
A1	A0	Address
3.3V	3.3V	0x45
3.3V	GND	0x44
GND	3.3V	0x41
GND	GND	0x40

A	B	C	Mode
Open	Open	Open	4-Wire
Closed	Closed	Open	3-Wire
Closed	Open	Closed	2-Wire

Datasheet: <http://www.ti.com/lit/ds/symlink/ads122c04.pdf>

Application Report: <http://www.ti.com/lit/an/sbaa336a/sbaa336a.pdf>

Filter Design: <http://www.ti.com/lit/an/sbaa201/sbaa201.pdf>



open hardware

SPARK X

Released under the Creative Commons Attribution Share-Alike 4.0 License
<https://creativecommons.org/licenses/by-sa/4.0/>



TITLE: Qwiic_PT100

Design by: Paul Clark (PaulZC)
Based on the Qwiic GPIO by Kevin Kuwata

REV:
X01

Date: 05/05/2020 08:32

Sheet: 1/1