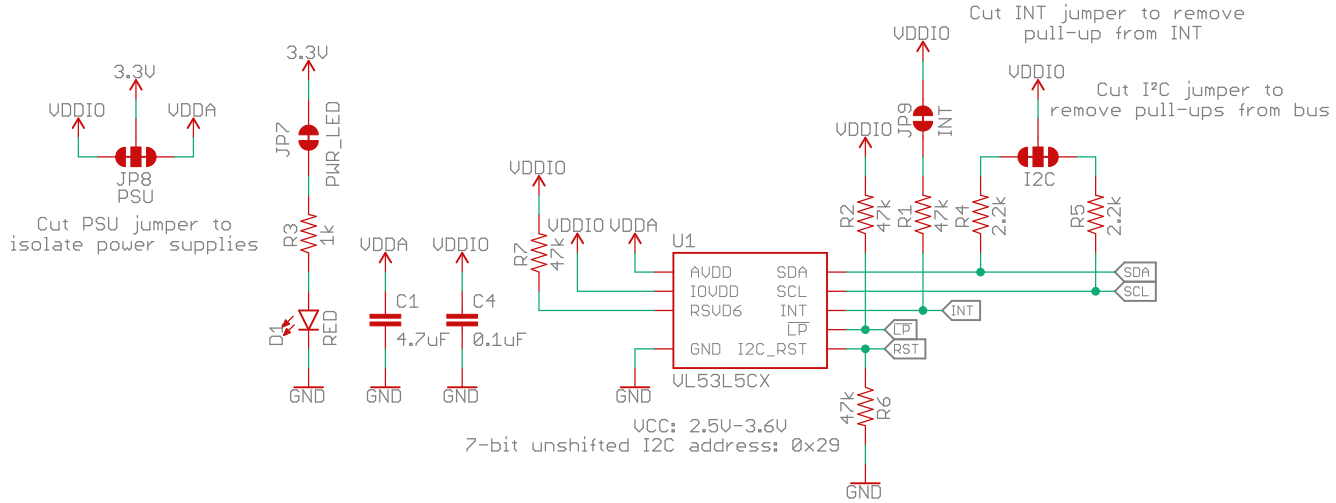
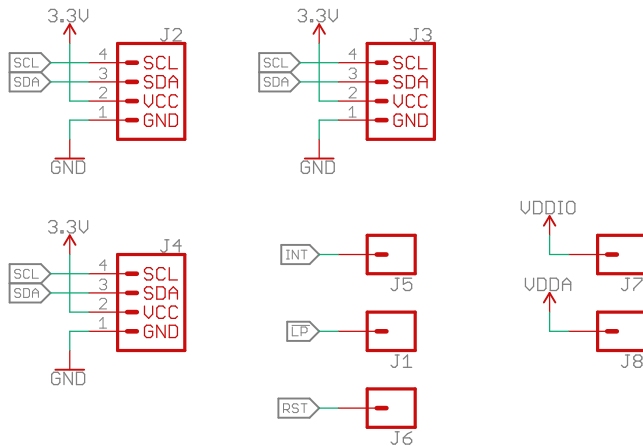


# UL53L5CX ToF Sensor Array



## Connections



Released under the Creative Commons Attribution Share-Alike 4.0 License <a href="https://creativecommons.org/licenses/by-sa/4.0/">https://creativecommons.org/licenses/by-sa/4.0/</a>		
TITLE: SparkFun Qwiic ToF Imager - UL53L5CX		
Design by: N. Seidle		REV: v10
Date: 11/18/2021 2:33 PM	Sheet: 1/1	