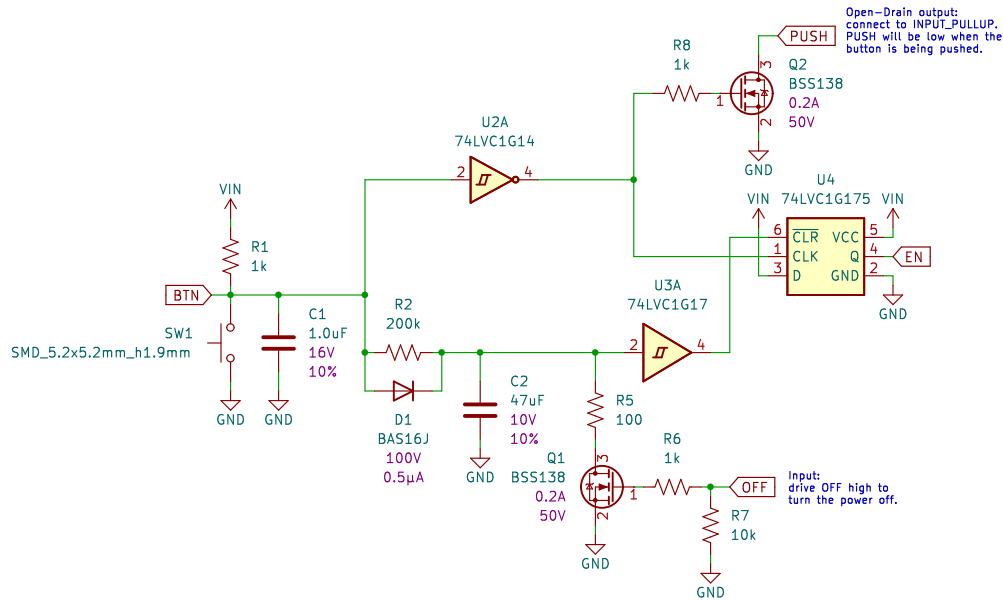
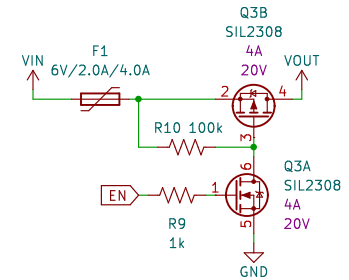


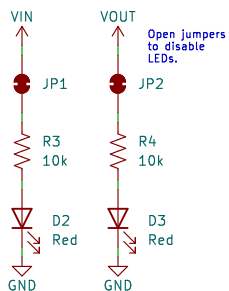
Soft Power Switch



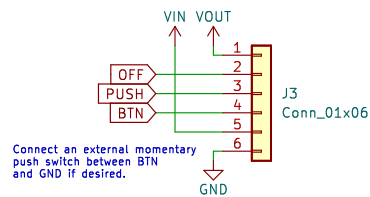
High Side Switch



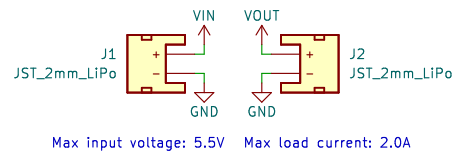
LEDs



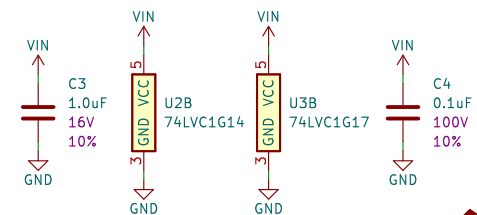
Breakouts



JST 2mm



Power



SPARK X open source hardware



Based on:

<https://www.ti.com/lit/pdf/scea048>

Designed by: Paul Clark

Sheet: /
File: SparkX_Soft_Power_Switch.kicad_sch

Title: SparkX Soft Power Switch Mk2

Size: USLetter Date: 2024-03-13
KiCad E.D.A. kicad 7.0.10

Rev: v01
Id: 1/1