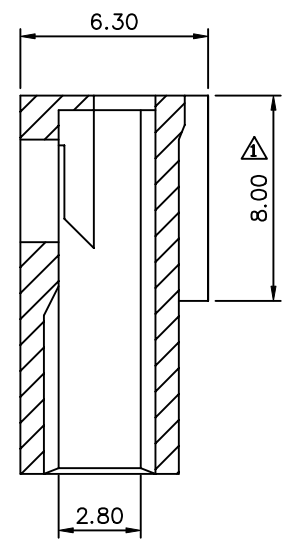
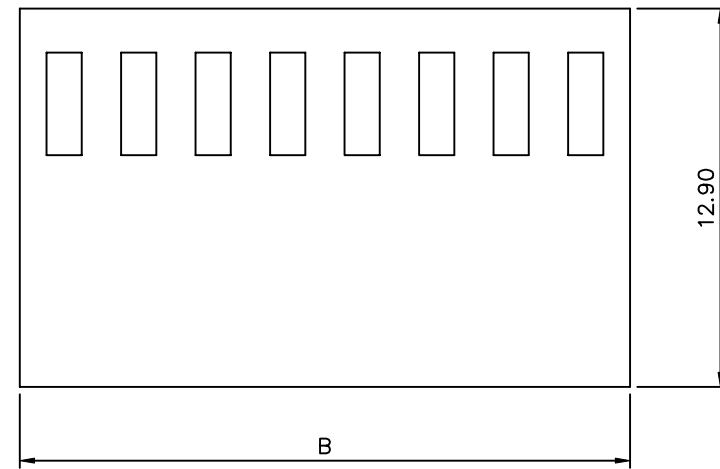
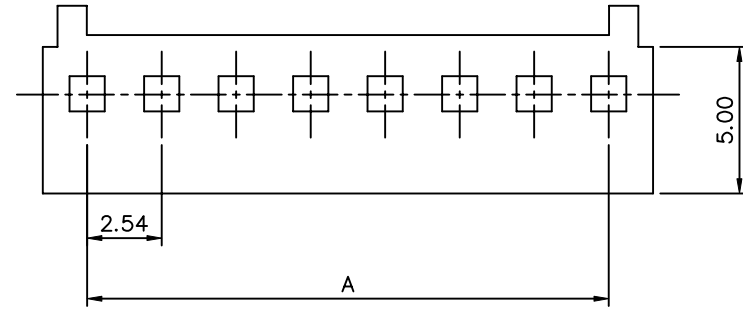


**SPECIFICATIONS**  
 Current Rating: 3A AC,DC  
 Voltage Rating: 250V AC Max.  
 Operating Temperature: -25°C~+85°C  
 Insulation Resistance: 1000 Megaohms Min.  
 Contact Resistance: 20 Milliohms Max.  
 Material: Nylon 66,UL 94V-2  
 RoHS Compliant



Poles	Dim. A	Dim. B
02	2.54	5.64
03	5.08	8.16
04	7.62	10.72
05	10.16	13.30
06	12.70	15.78
07	15.24	18.40
08	17.78	20.80
09	20.32	23.50
10	22.86	26.00
11	25.40	28.50
12	27.94	31.00
13	30.48	33.50
14	33.02	36.00
15	35.56	38.50
16	38.10	41.20
17	40.64	43.60
18	43.18	46.32
19	45.72	48.80
20	48.26	51.34

**4UCON** 元化興業股份有限公司  
 4UCON TECHNOLOGY INC.

DRAWING No.  
 01931

APPROVED BY MEI  
 CHECKED BY BECKY  
 DRAWING BY TCF

UNLESS OTHERWISE SPECIFIED TOLERANCES ARE  
 .X ±0.35  
 .XX ±0.25  
 ANG.  
 UNIT mm

NO.	REV.	REVISIONS	CHK	DATE
△	B2	Modify SPEC.	HZF	12/26/2008
△	B1	ADD DIM 8.00	HZF	07/21/2008
△	B0	NEW RELEASE	BECKY	07/19/2005

SCALE NONE

REV. B2

NO. REV. REVISIONS CHK DATE