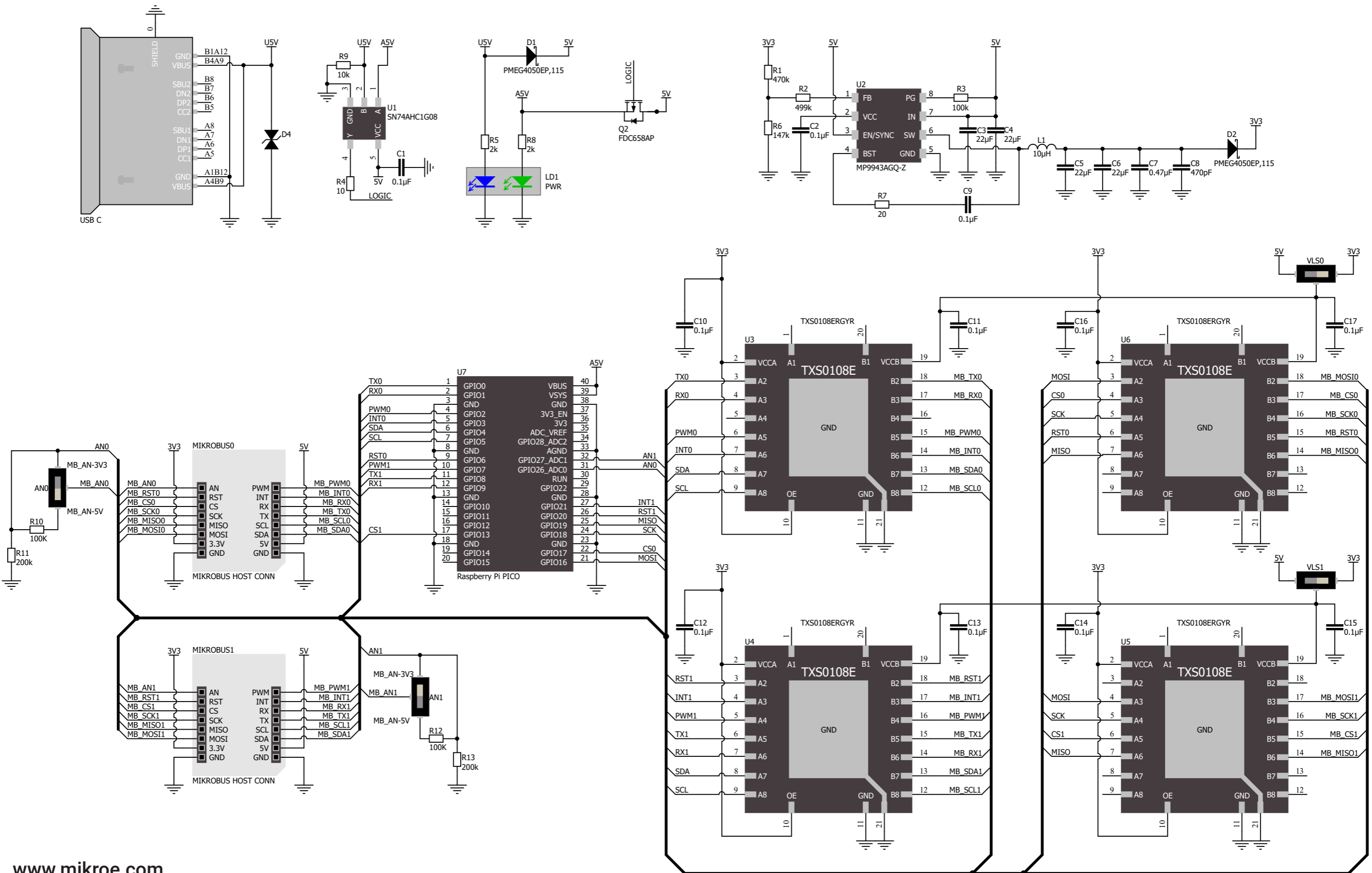


Click shield for Pi Pico schematic v100



www.mikroe.com