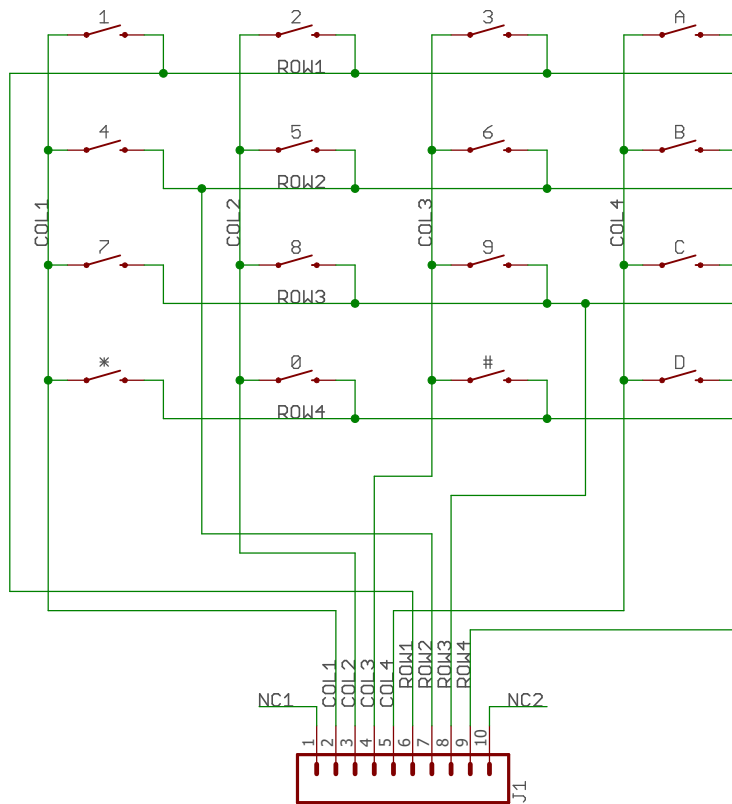


SparkFun Electronics
Keypad 16-Button (Alphanumeric) [DD-14881]



CONNECTOR PINOUT SHOWN FROM
TOP (KEYCAP) SIDE OF BOARD

KEYPRESS RESISTANCE WILL RANGE
BETWEEN 10Ω AND 625Ω

