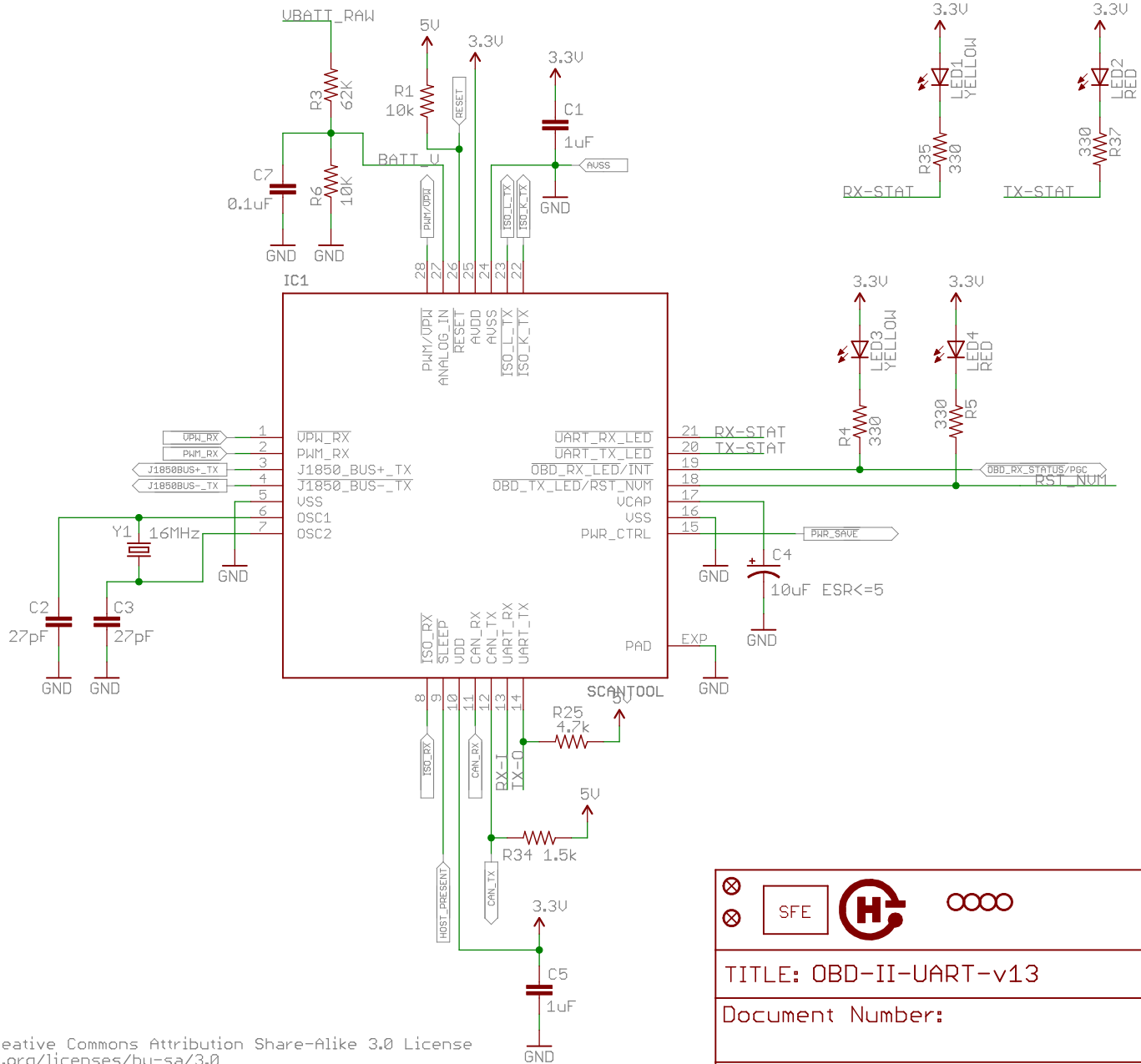



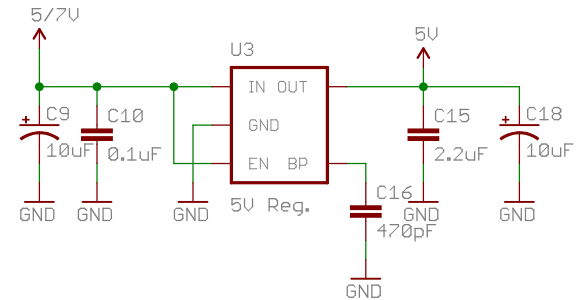
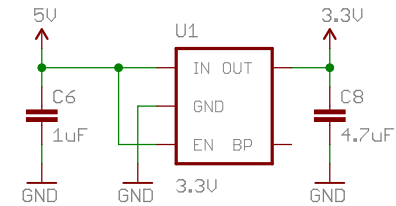
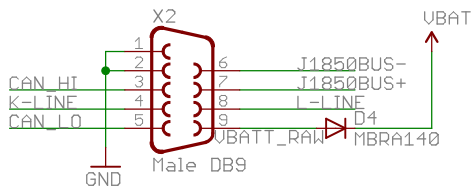
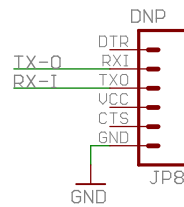
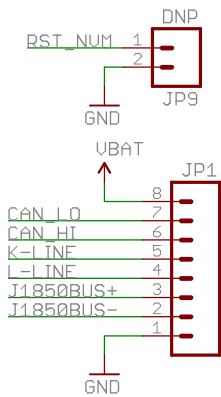


Main Controller



  	
TITLE: OBD-II-UART-v13	
Document Number:	REV:
Date: 3/2/2011 11:57:16 AM	Sheet: 1/4

+3.3V Power Supply



TITLE: OBD-II-UART-v13

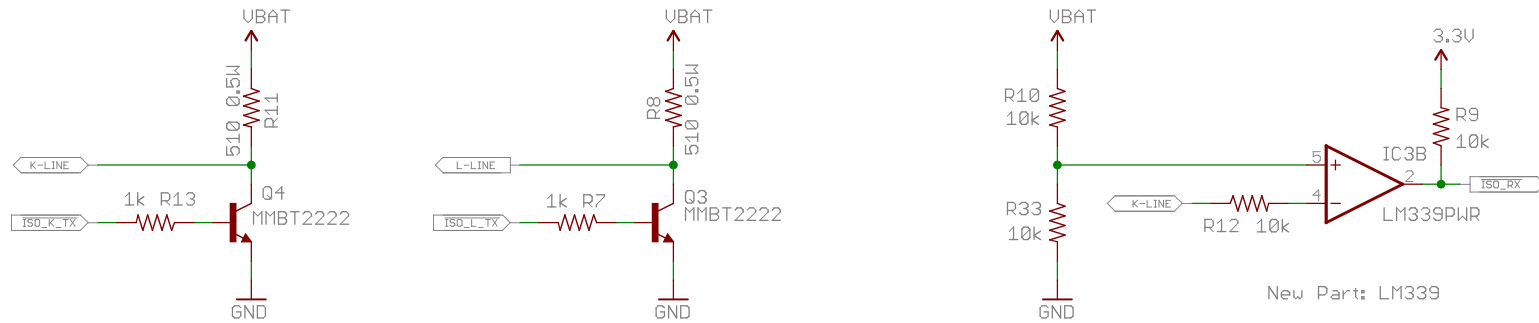
Document Number:

REV:

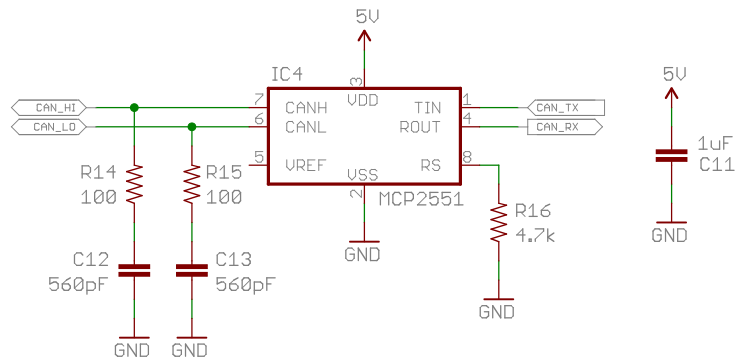
Date: 3/2/2011 11:57:16 AM

Sheet: 2/4

ISO Transceiver



CAN Transceiver



TITLE: OBD-II-UART-v13

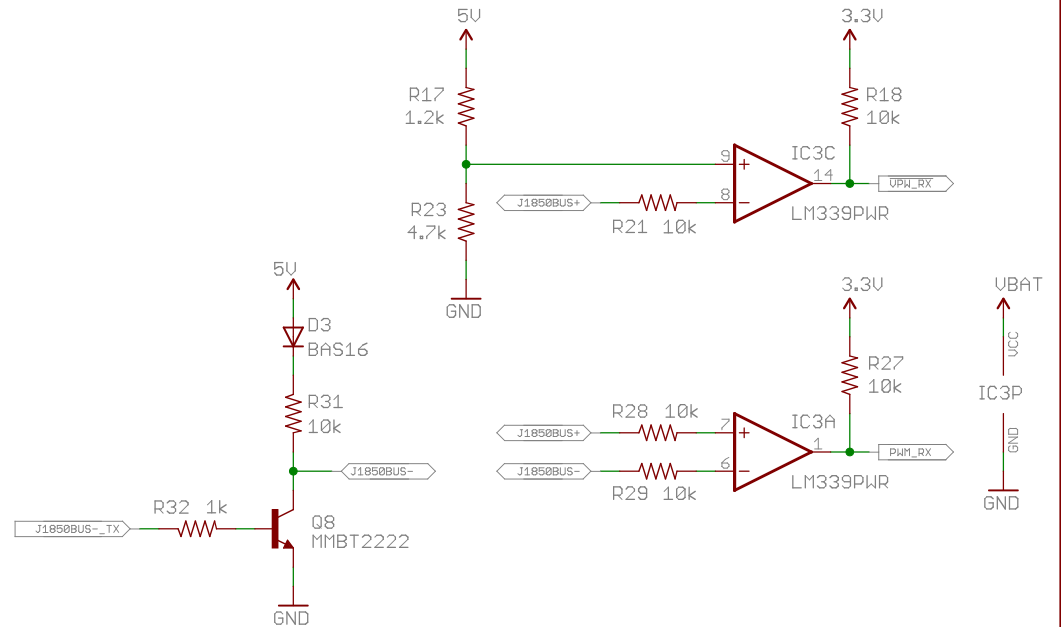
Document Number:

REV:

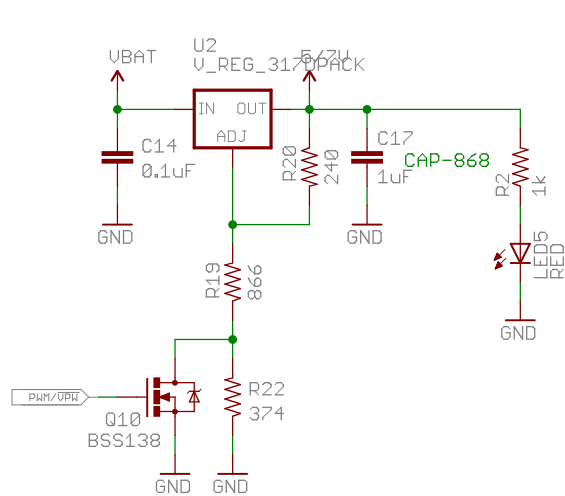
Date: 3/2/2011 11:57:16 AM

Sheet: 3/4

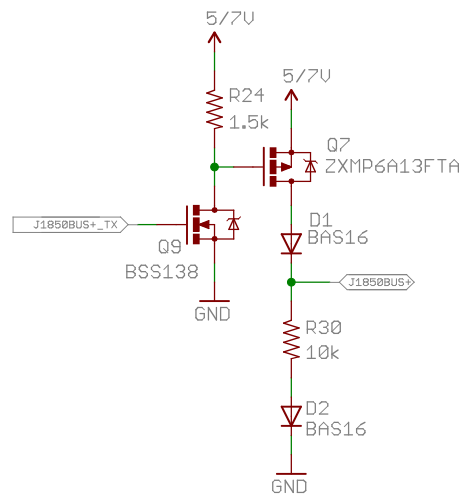
J1850 Transceiver



Selectable 5.76V or 7.71V



New Parts: 866, 374



TITLE: OBD-II-UART-v13

Document Number:

REV:

Date: 3/2/2011 11:57:16 AM

Sheet: 4/4