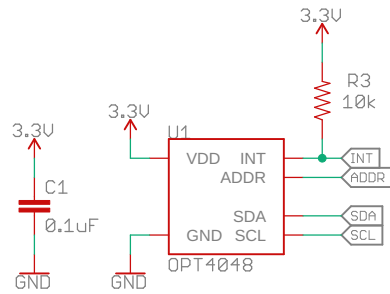
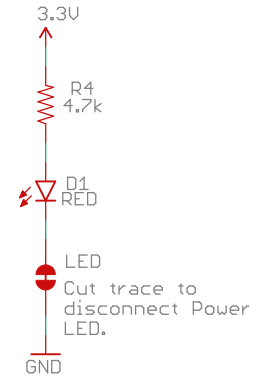
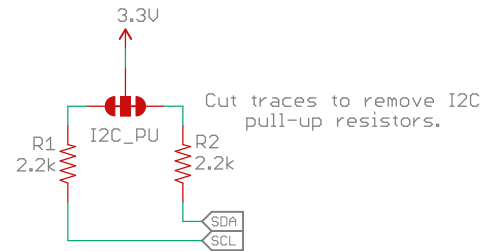


## Color Sensor - OPT4048

VDD Range: 1.71V - 3.6V

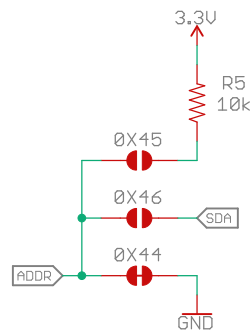


## Jumpers



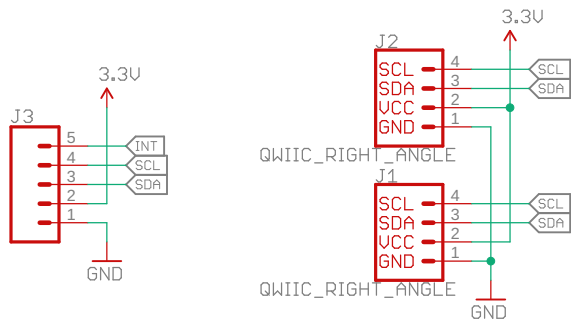
## Address Selection Jumpers

Close Jumper to select Address



7-bit Unshifted Address	NET
0x44 (Default)	GND
0x45	3.3V/VDD
0x46	SDA

## Connectors



Released under the Creative Commons

Attribution Share-Alike 4.0 License

<https://creativecommons.org/licenses/by-sa/4.0/>

Special Instructions

○○○○

⊗⊗⊗⊗

TITLE: SparkFun\_Color\_Sensor\_OPT4048

Design by: Elias Santistevan

REV:  
v10

Date: 7/26/2023 10:01 AM

Sheet: 1/1