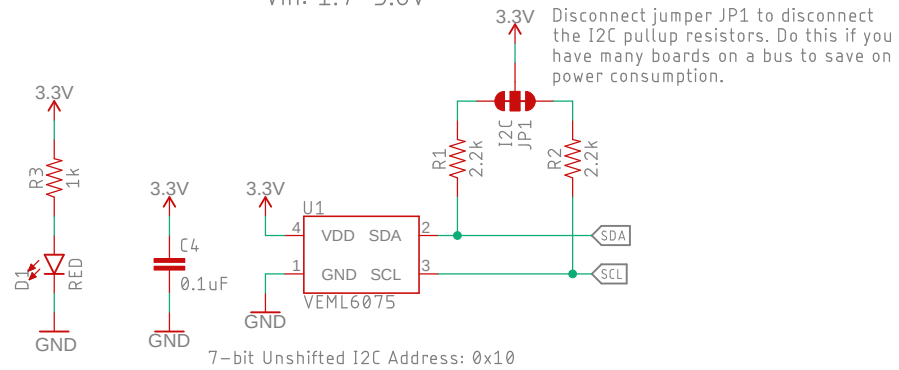


Sensor

Vin: 1.7–3.6V



Connectors

