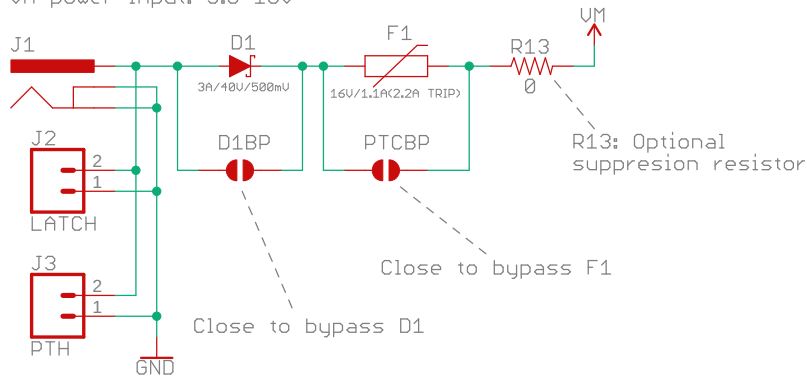
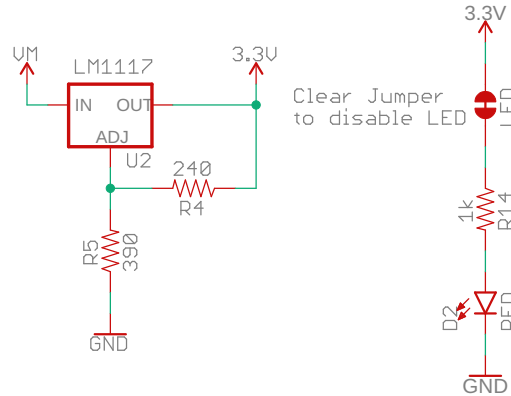


Power Input

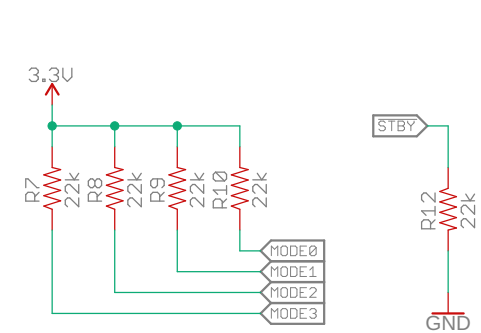
UM power input: 3.6-16V



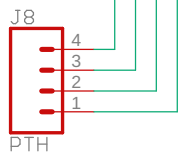
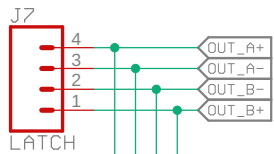
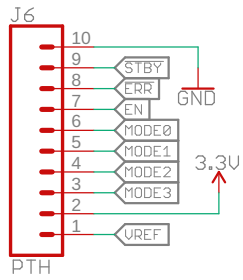
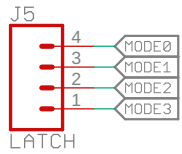
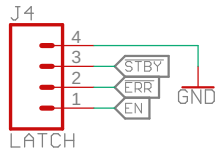
Regulator



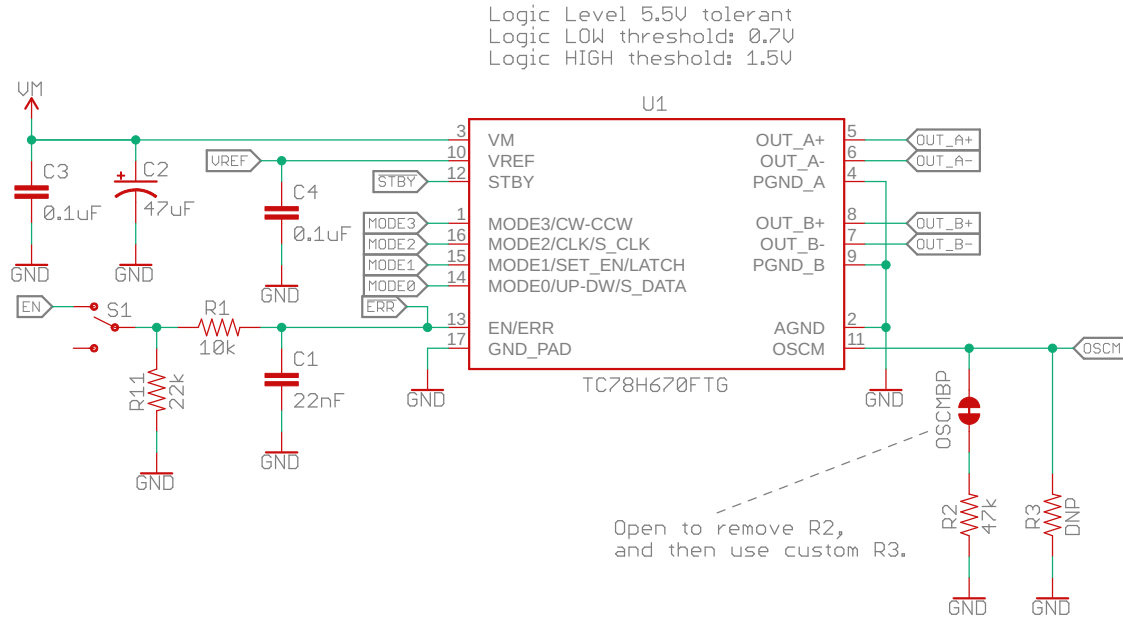
Logic Pull-ups/Pull-downs



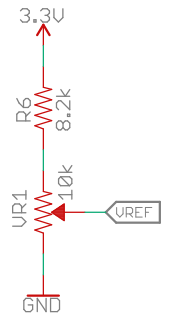
Connectors



Motor Driver



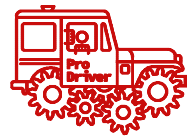
Current Adjust



Calcs:
LOGIC=3.3V
R6=8.2K
UR1=0-10K
VREF=0-1.8V

Special Instructions

THIS IS A 4-LAYER BOARD



Released under the Creative Commons

Attribution Share-Alike 4.0 License

<https://creativecommons.org/licenses/by-sa/4.0/>



TITLE: SparkFun_ProDriver_TC78H670FTG

Design by: Pete Lewis

REV:
v10

Date: 8/20/2020 10:35 AM

Sheet: 1/1