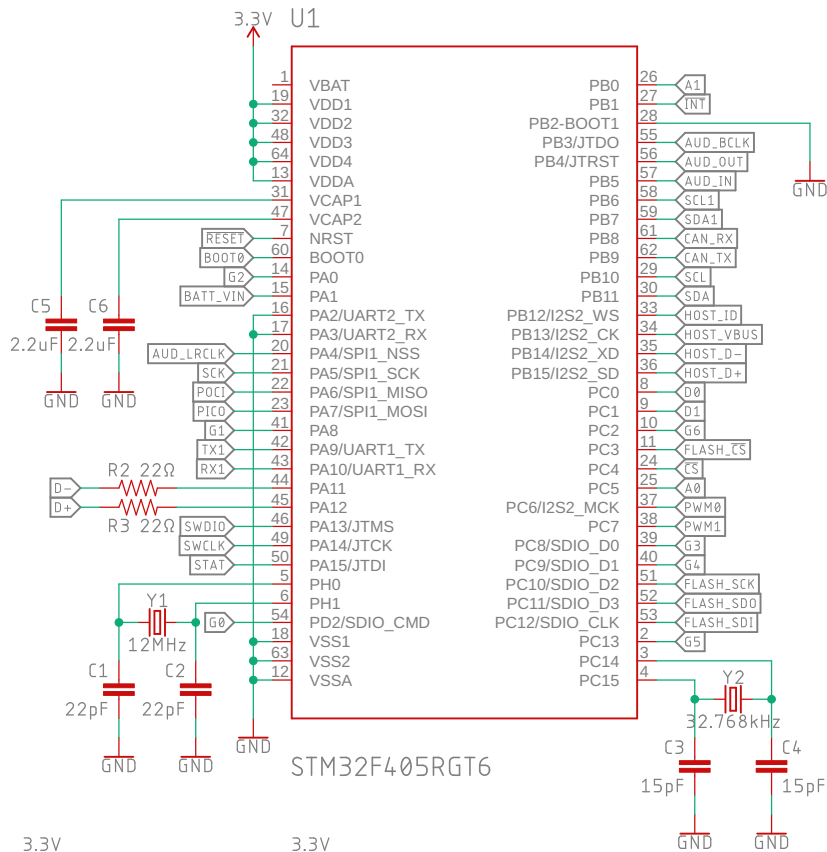
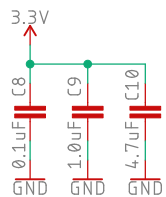


# STM32F405

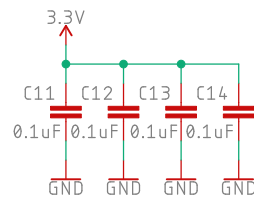
VDD Range: 1.8 - 3.6V



STM32F405RGT6

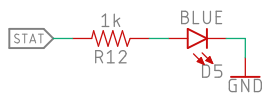


C8-C10 Should be placed near VDDA

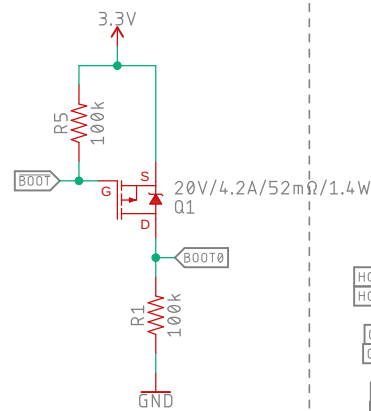


C11-C14 Should be placed near VDD pins

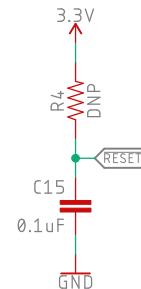
## Status LED



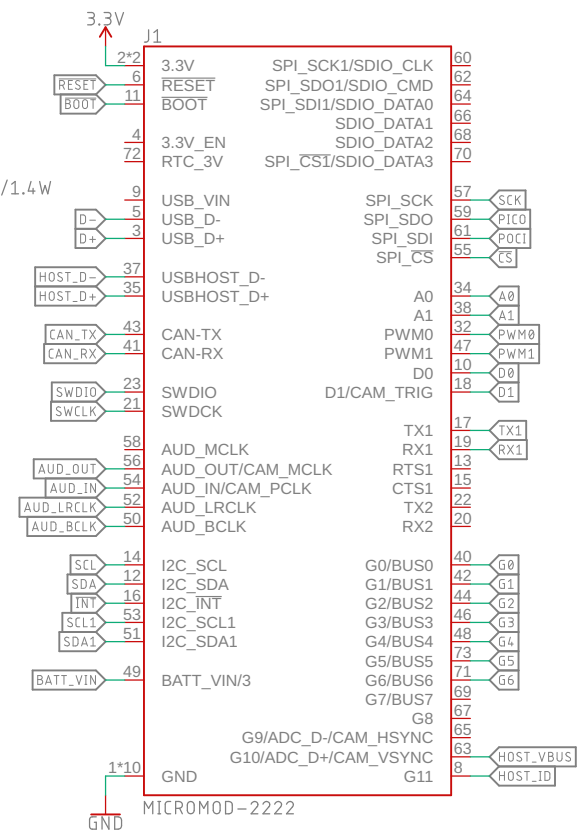
## Boot Inversion



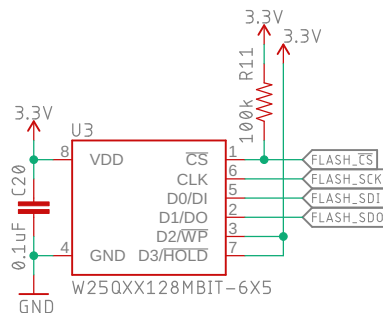
## Reset



## MicroMod Connector



## 128 Mbit Flash



Released under the Creative Commons

Attribution Share-Alike 4.0 License

<https://creativecommons.org/licenses/by-sa/4.0/>

TITLE: MicroMod\_STM32\_Processor

Design by: Alex Wende

Revision by: Alex Brudner

Date: 1/6/2023 8:28 AM

REV:  
v20

Sheet: 1/1