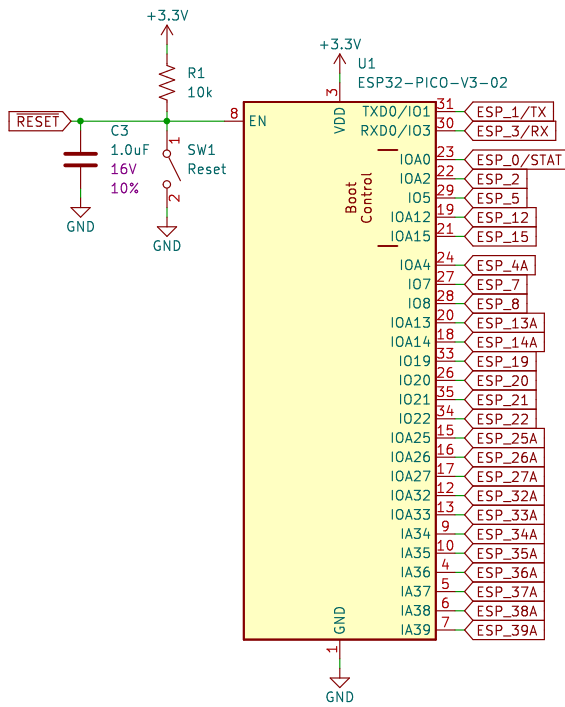
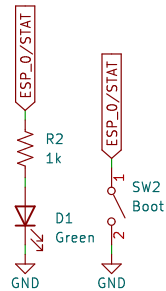


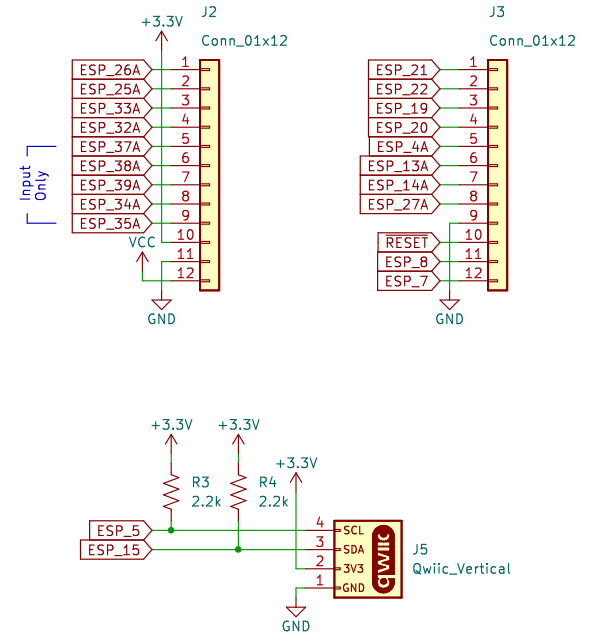
ESP32 Pico Mini



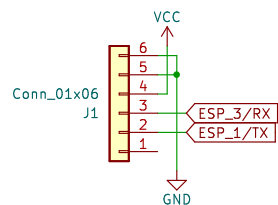
Use boot control pins with caution: 0, 2, 5, 12, 15
 IO0: Avoid device connections. Can be used a stat LED.
 IO2: Avoid external pullups – will cause bootloader fail.
 IO5: SDIO peripheral control. Has builtin pullup at POR.
 IO12: Avoid external pullups – will cause bootloader fail.
 IO15: Suppress output at POR. Has builtin pullup at POR.



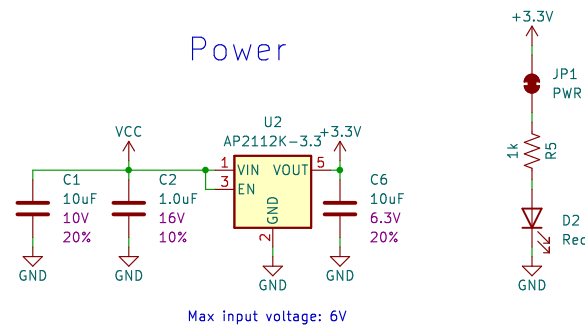
Connectors



USB to Serial



Power



Designed by: N. Seidle

Sheet: /
 File: SparkFun_ESP32_Qwiic_Pro_Mini.kicad_sch

[Ordering Instructions](#)

Title: SparkFun ESP32 Qwiic Pro Mini



Size: USLetter Date: 2023-09-18
 KiCad E.D.A. kicad 7.0.8

Rev: v11
 Id: 1/1