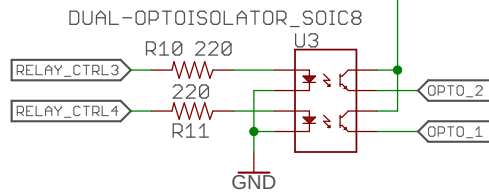
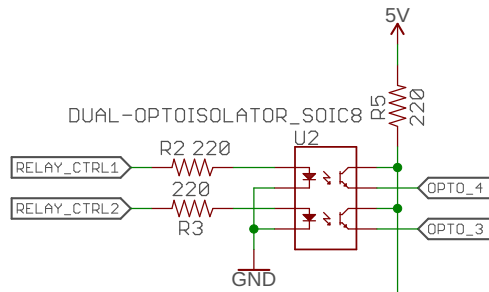
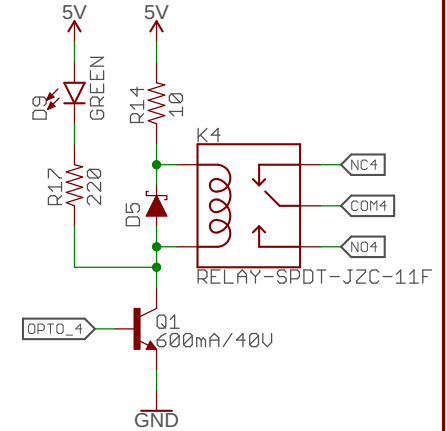
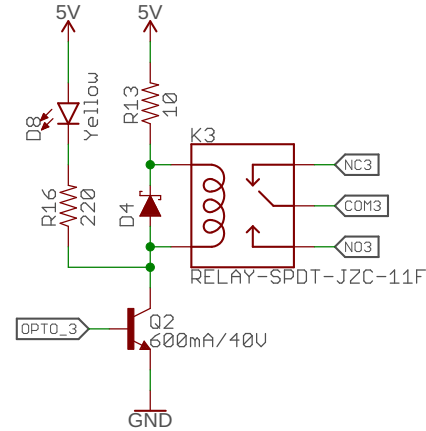
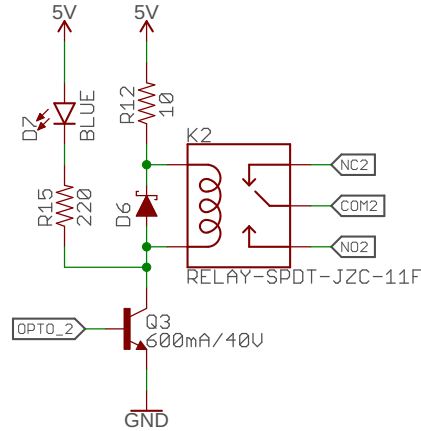
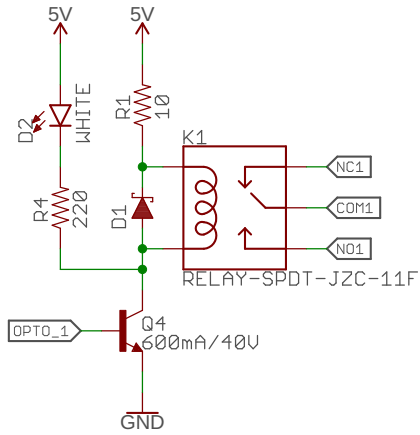
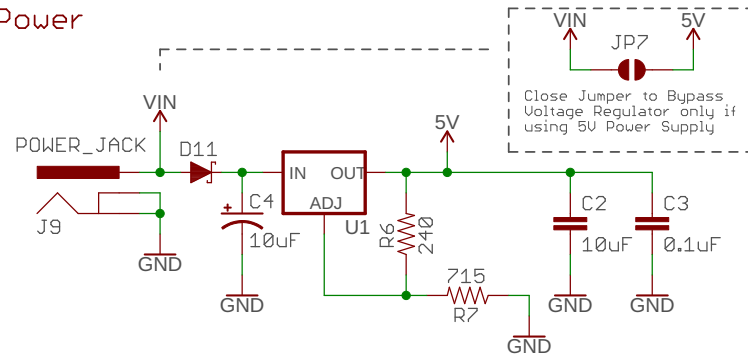


## Relay Control

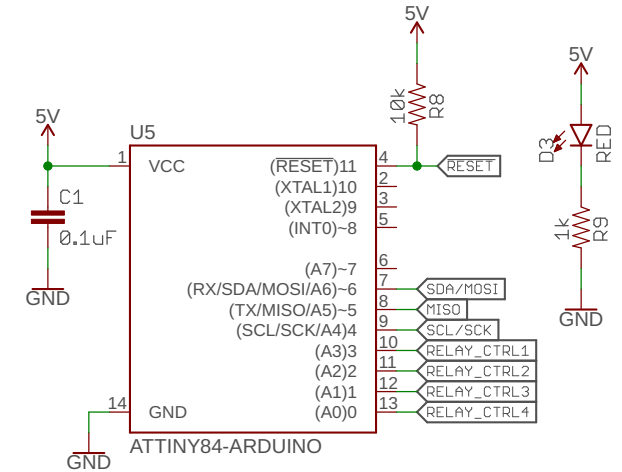


## Power

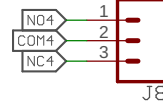
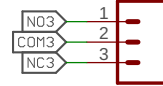
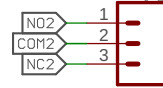
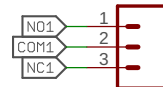
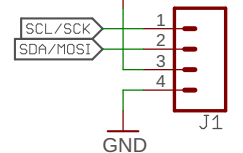
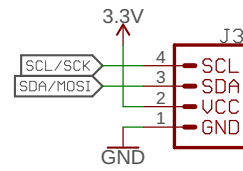
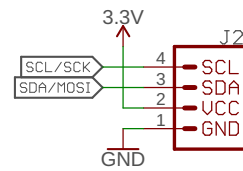


## ATtiny84

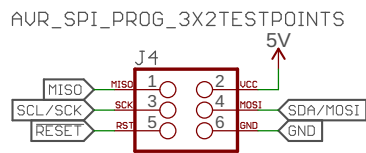
No Address Pin or I2C Jumper



## Connectors



## Programming Header



Released under the Creative Commons Attribution Share-Alike 4.0 License  
<https://creativecommons.org/licenses/by-sa/4.0/>

TITLE: Qwiic\_Quad\_Relay

Design by:  
Elias Santistevan

REV:  
x01

Date: 10/11/2018 10:36 AM

Sheet: 1/1