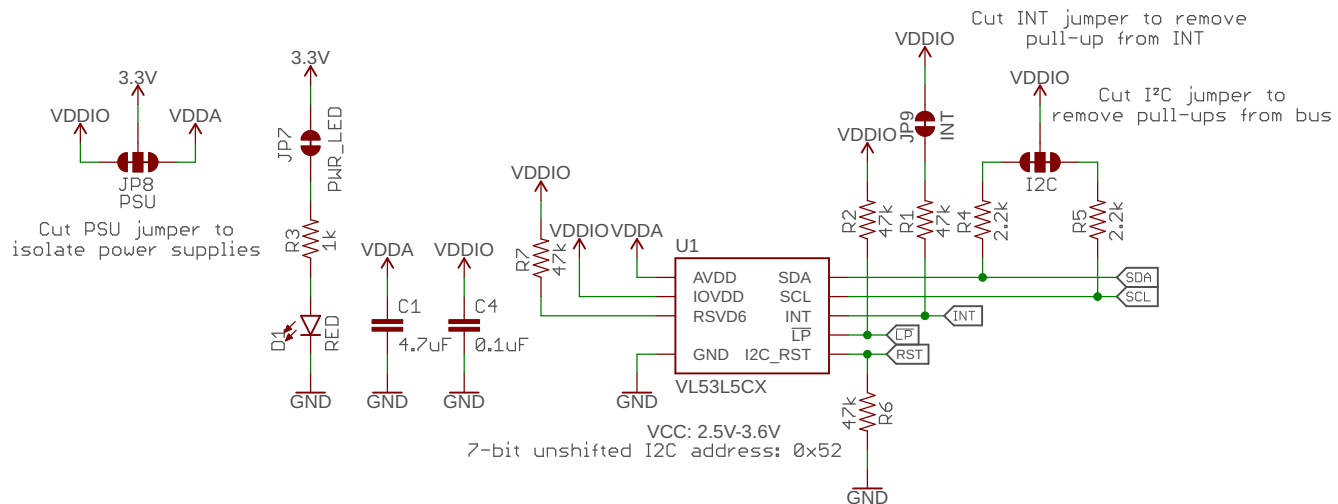
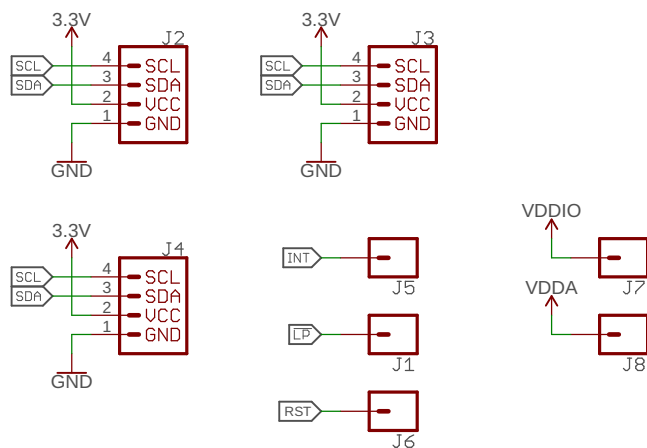


VL53L5CX ToF Sensor Array



Connections



Released under the Creative Commons
Attribution Share-Alike 4.0 License
<https://creativecommons.org/licenses/by-sa/4.0/>



TITLE: SparkFun Qwiic ToF Imager - VL53L5CX

Design by: N. Seidle

REV:
v10

Date: 9/16/2021 2:21 PM

Sheet: 1/1