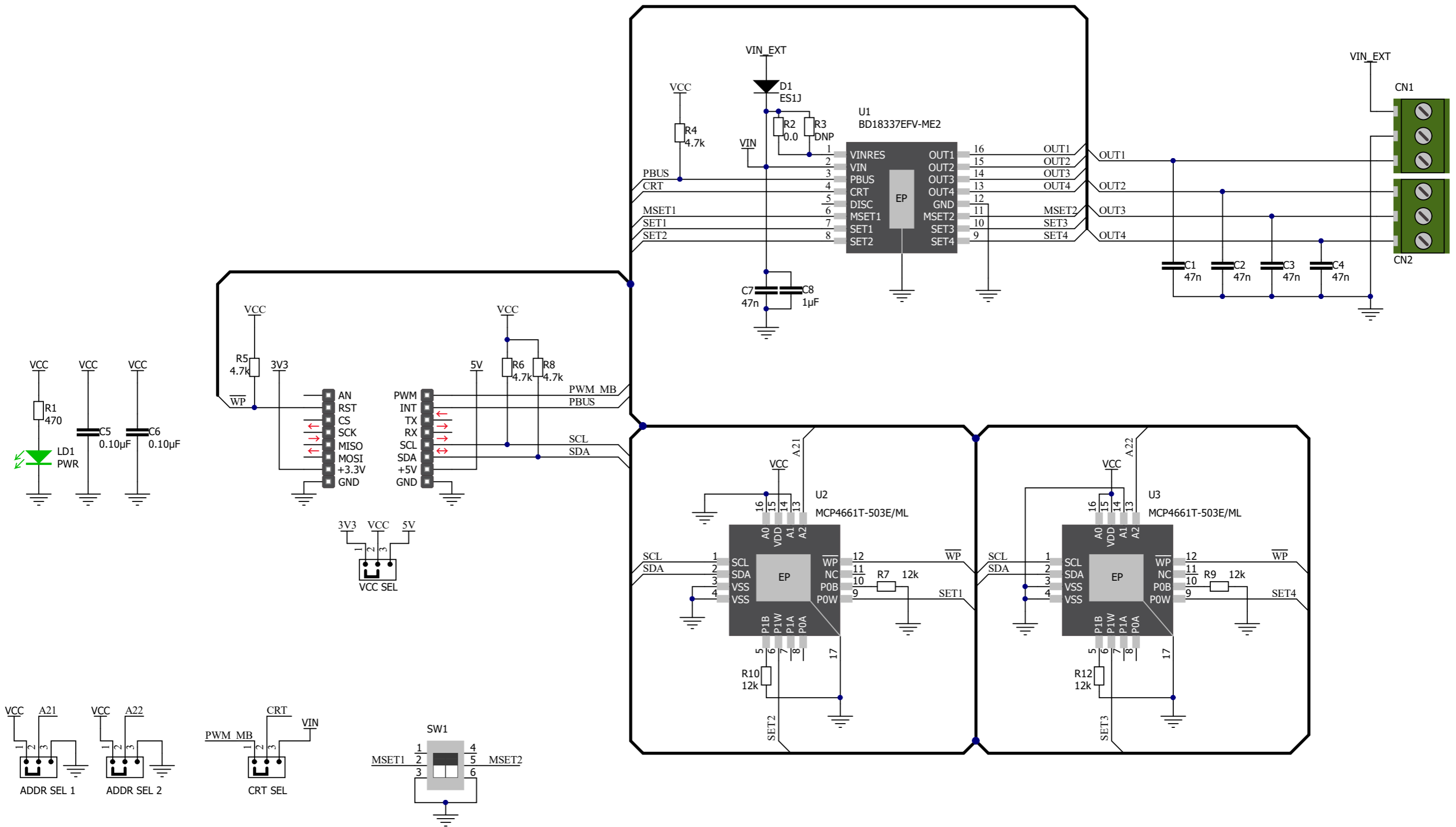


LED Driver 14 Click schematic v100



www.mikroe.com