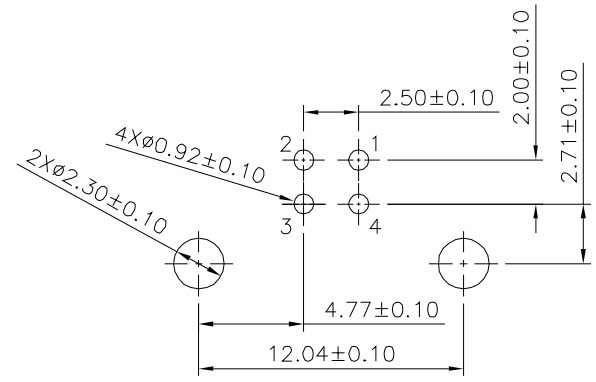
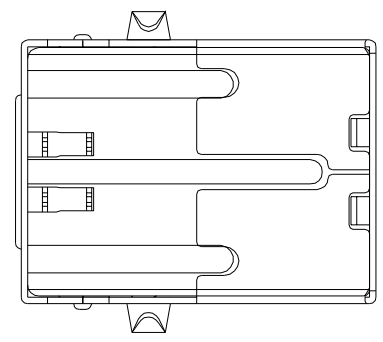
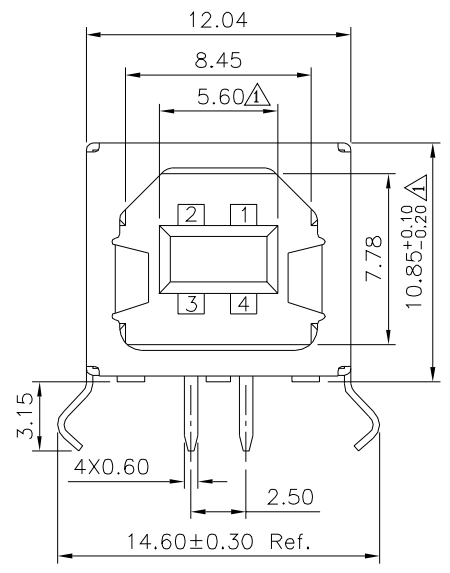
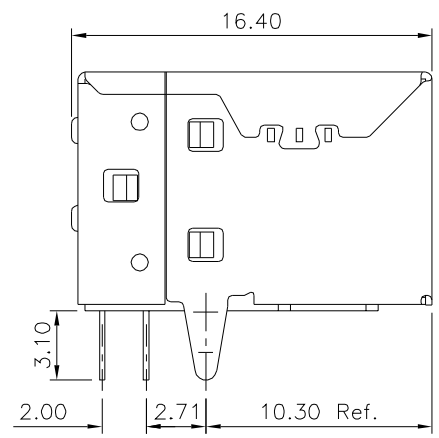
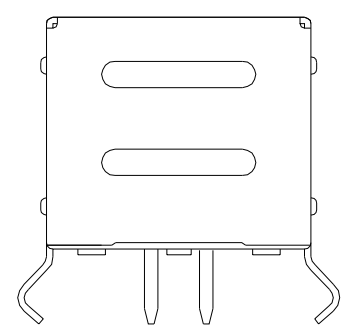


**SPECIFICATION**  
 Current Rating:1.5A  
 Voltage:30V Max.  
 Withstanding Voltage:500V AC For 1 Minute  
 Contact Resistance:30 Milliohms Max.  
 Insulation Resistance:1000 Megaohms Min.  
 Temperature Range:-55°C~+85°C  
 Mating Force:35N Max.  
 Withdrawal Force:10N Min.  
 Durability:1500 Cycles Min.  
 Contact:Phosphor Bronze  
     Gold Flash On Contact Area,Tin  
     Plated On Solder Tails,Over Nickel  
 Insulator:PBT+30%G.F.(UL94V-0),White  
 Front Shell:Brass,Nickel Plated  
 Back Shell:Steel,Nickel Plated  
 RoHS Compliant



Recommended P.C.B. Layout(Component Side)  
 Tolerance:±0.05

**4UCON** 元化興業股份有限公司  
 4UCON TECHNOLOGY INC.

DRAWING No.		APPROVED BY		UNLESS OTHERWISE SPECIFIED TOLERANCES ARE .X ±0.38 .X* ±2* .XX ±0.25 .XX* ±1* .XXX ±0.13 .XXX* ±0.5*
15765		MEI		
		CHECKED BY		
		HZF		UNIT mm
		DRAWING BY		
		HAO		NO. REV.
SCALE	NONE	REV.	B1	

NO.	REV.	REVISIONS	CHK	DATE
△	B1	Modify Data	HZF	12/23/2022
△	B0	NEW RELEASE	HZF	10/13/2015