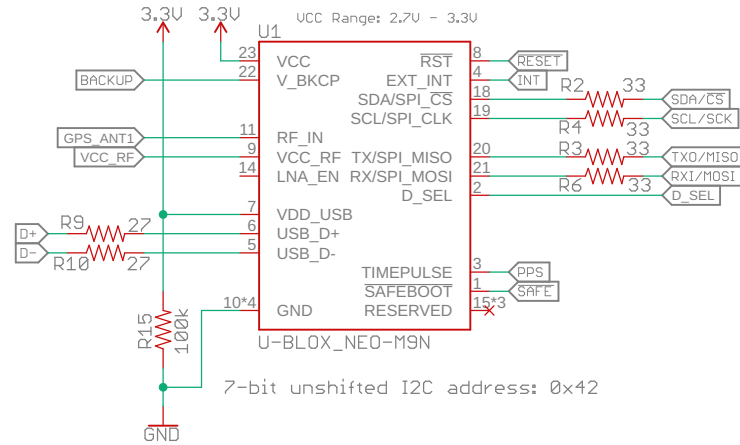
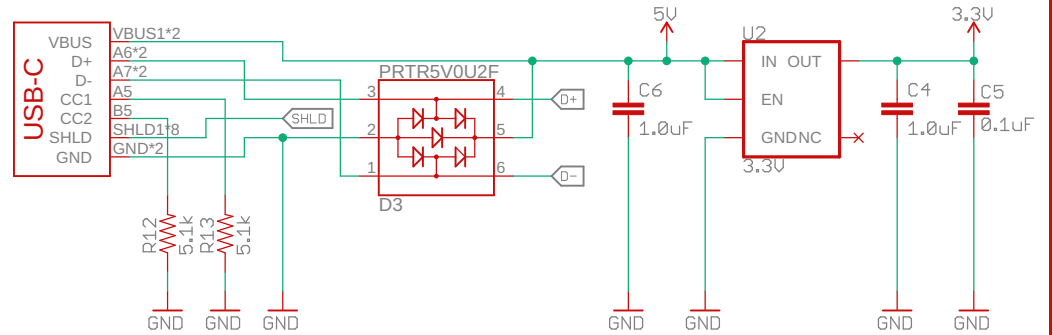


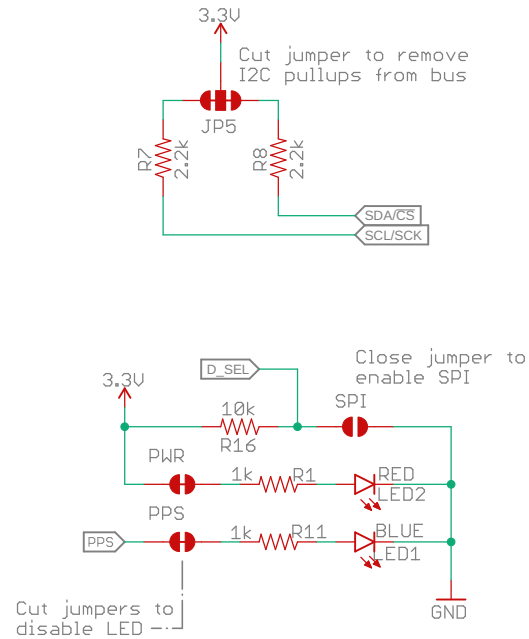
GPS: u-Blox NEO-M9N



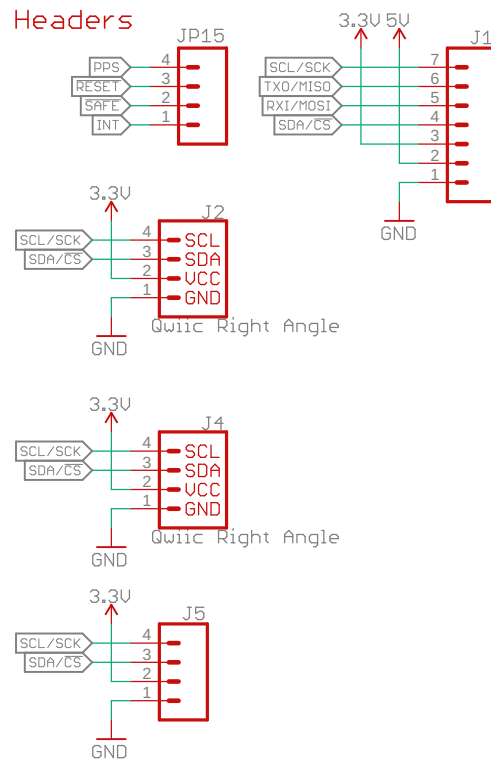
USB Connector - Power



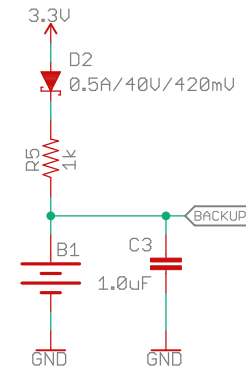
LEDs and Jumpers



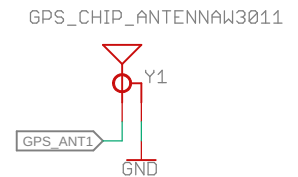
Headers



Hot Start Battery



Chip Antenna



Released under the Creative Commons Attribution Share-Alike 4.0 License
<https://creativecommons.org/licenses/by-sa/4.0/>

TITLE: SparkFun GPS NEO_M9N_ANT

Design by: Elias Santistevan
 Based on design by: Nathan Seidle

REV:
 V10

Date: 12/18/2019 10:31 AM

Sheet: 1/1