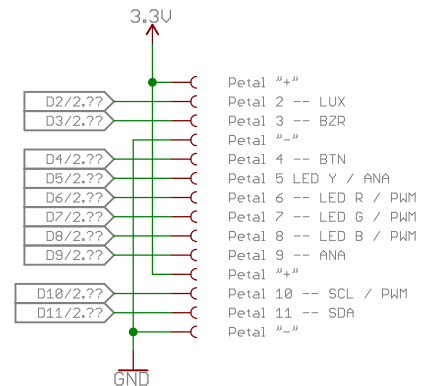
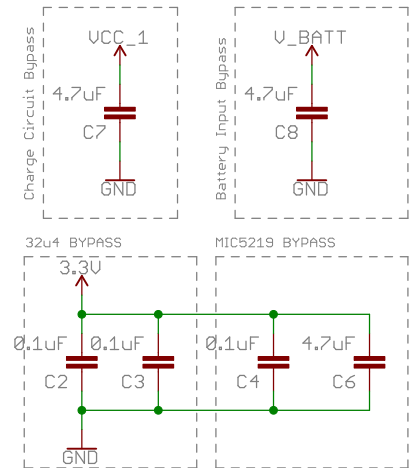
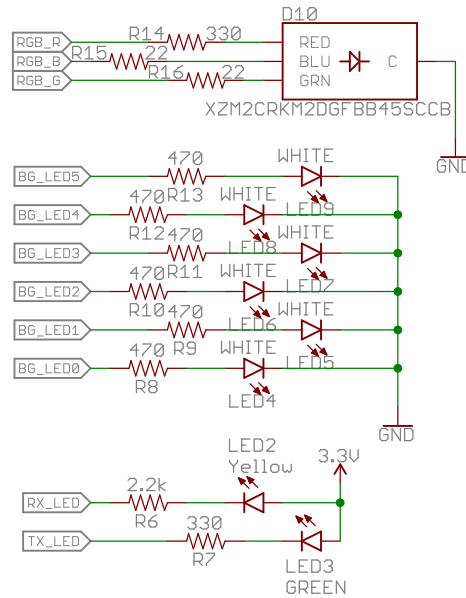
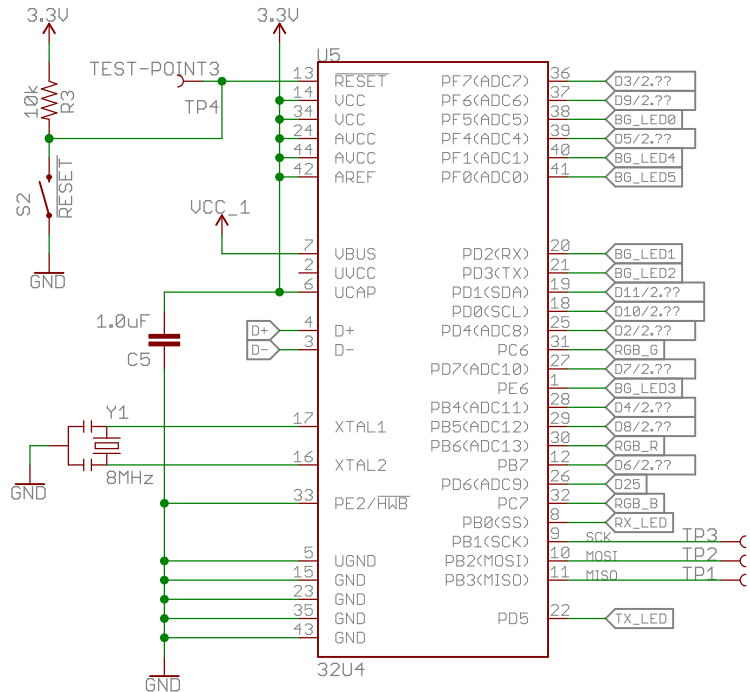


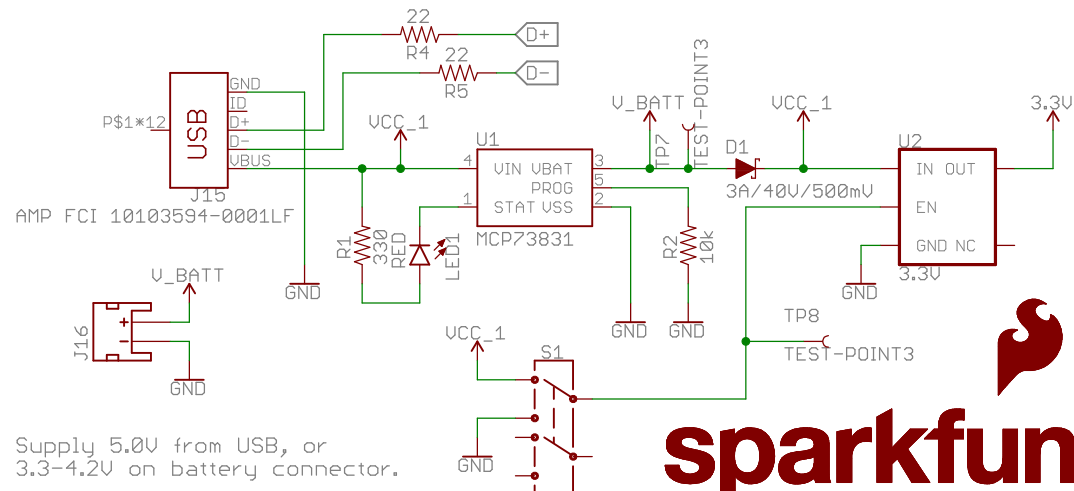
LilyPad Prototyping Board

Microcontroller

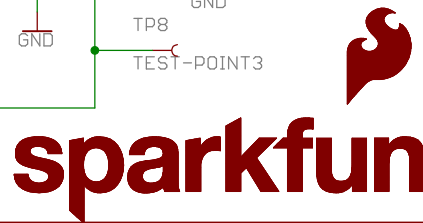


Battery Charger and Regulator

Charge current factory set to 100mA
 $I_{CHG} = 1000/R2$



Supply 5.0V from USB, or 3.3-4.2V on battery connector.



open hardware

LilyPad concept and shapes by:
 L. Buechley and N. Seidle

LilyPad LilyPad

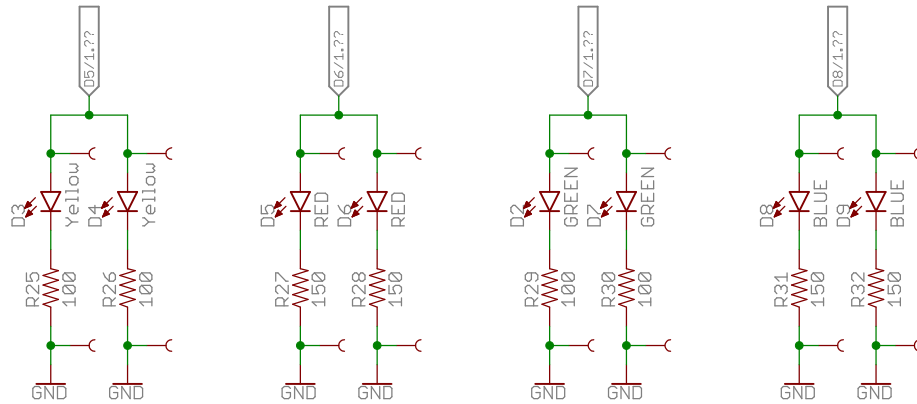
Released under the Creative Commons Attribution Share-Alike 4.0 License
<https://creativecommons.org/licenses/by-sa/4.0/>

TITLE: LilyPad_ProtoSnap_Plus_v10

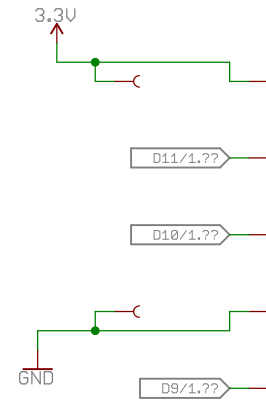
Design by: Marshall Taylor REV: v10

Date: 10/2/2017 2:00 PM Sheet: 1/2

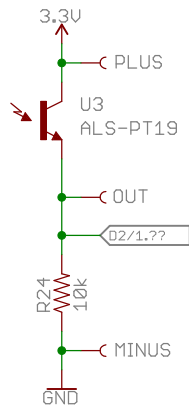
LEDS



Expansion tabs



Light Sensor



Un-used
sew taps

Buzzer

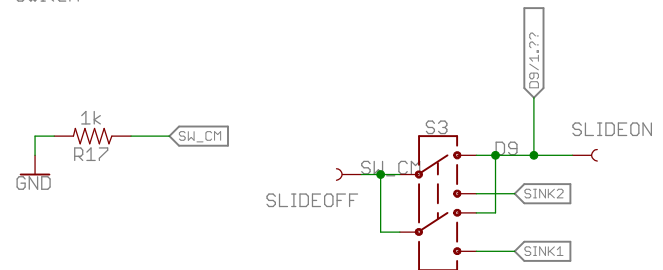


Un-used
sew taps

Button



Switch



Released under the Creative Commons
Attribution Share-Alike 4.0 License
<https://creativecommons.org/licenses/by-sa/4.0/>

TITLE: LilyPad_ProtoSnap_Plus_v10

Design by: Marshall Taylor

REV:
v10

Date: 10/2/2017 2:00 PM

Sheet: 2/2