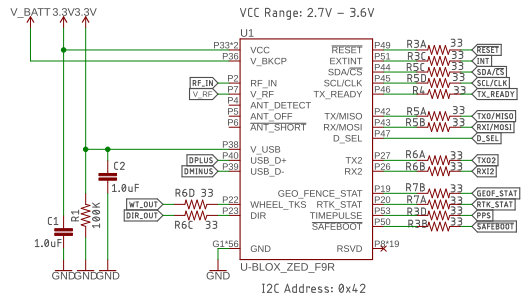
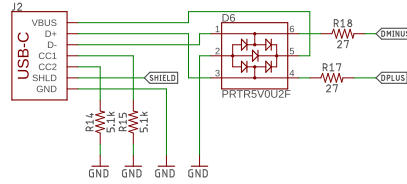


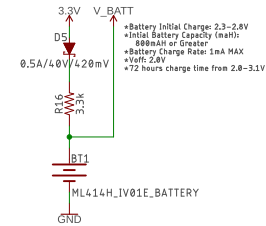
Dead Reckoning Module – ZED-F9R



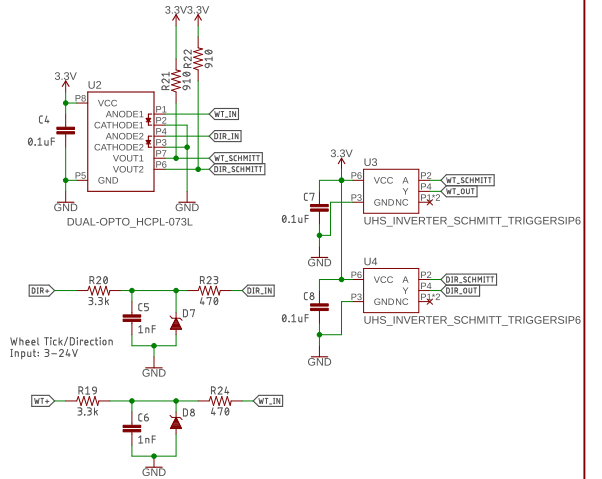
USB – Aiding



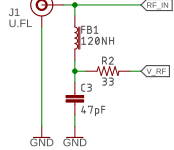
Battery



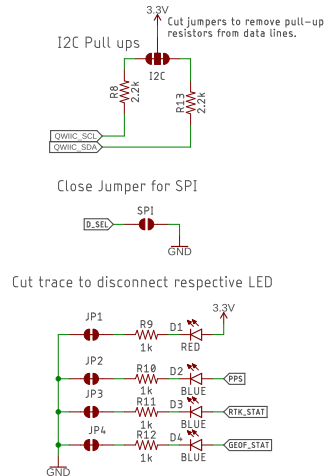
Wheel Tick and Direction Circuitry



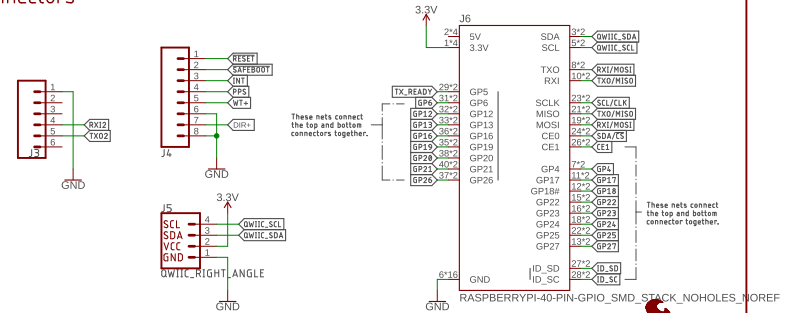
Antenna



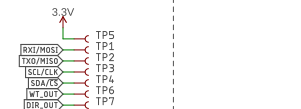
Jumpers



Connectors



Testpoints



Released under the Creative Commons Attribution Share-Alike 4.0 License
<https://creativecommons.org/licenses/by-sa/4.0/>

TITLE: SparkFun_GPS_ZED-F9R_pHat

Design by: Elias Santistevan

REV: v10

Date: 11/28/2023 12:45 PM

Sheet: 1/1