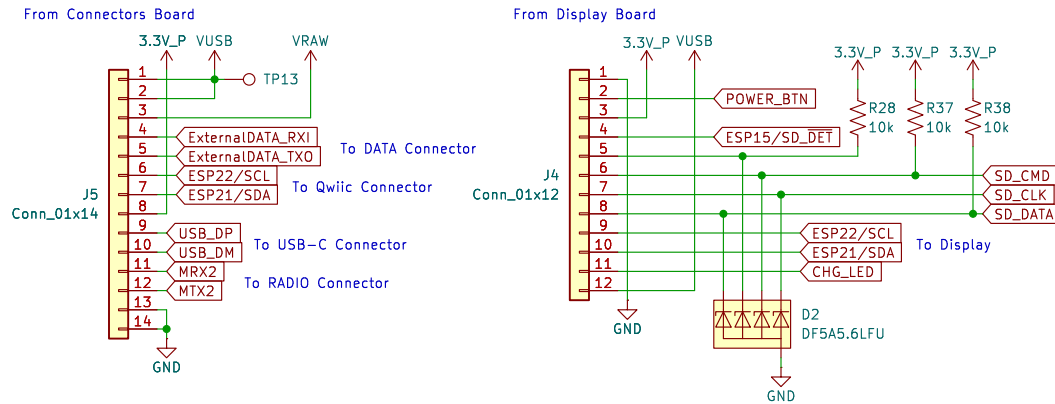
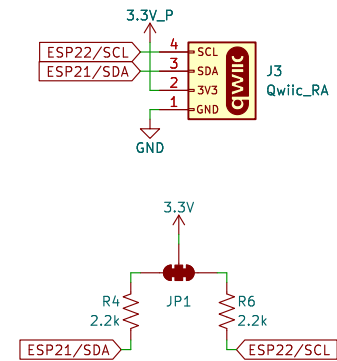


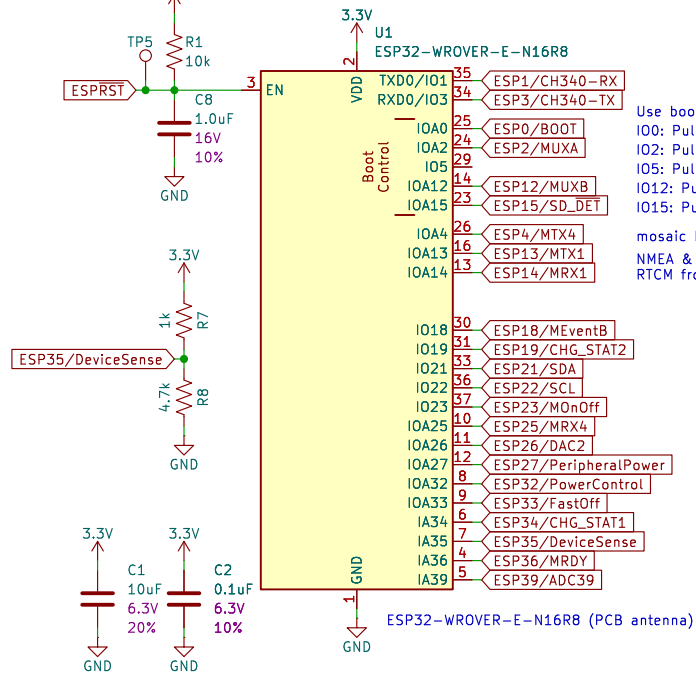
Connectors



Qwiic I²C



ESP32-WROVER



GNSS

File: GNSS.kicad_sch

USB

File: USB.kicad_sch

Power

File: Power.kicad_sch



Designed by: N.S. & P.C.

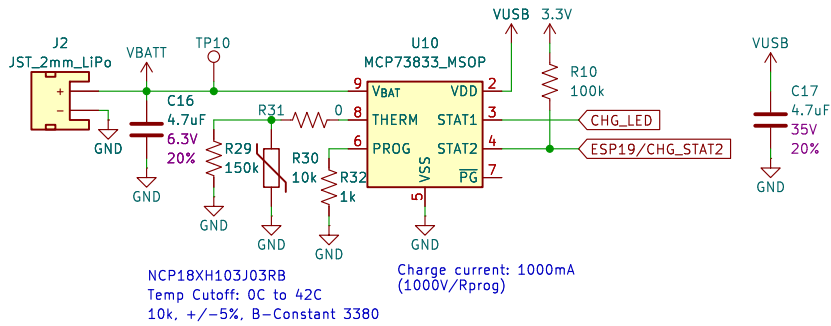
Sheet: /
File: SparkFun_RTK_Facet_mosaic.kicad_sch

Title: RTK Facet mosaic L-Band

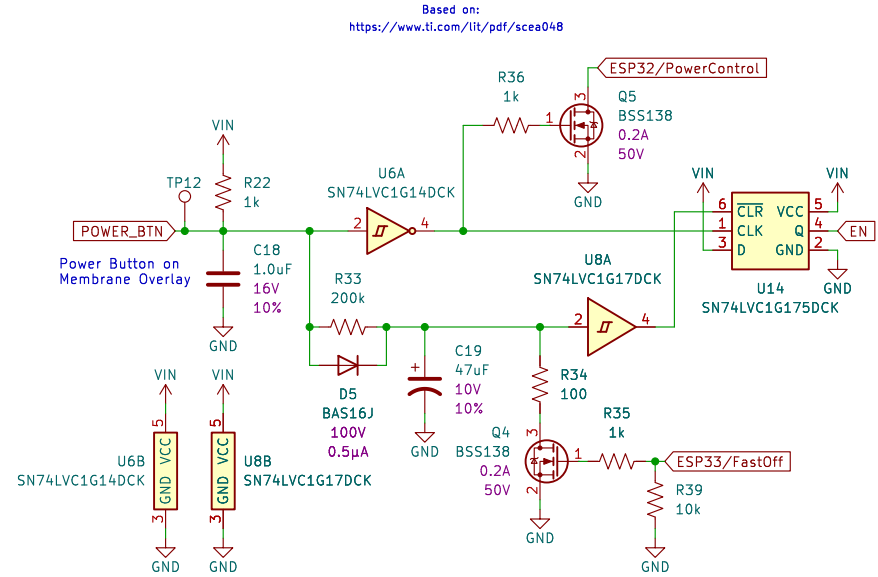
Size: USLetter Date: 2024-10-07
KiCad E.D.A. 8.0.7

Rev: v1.2
Id: 1/4

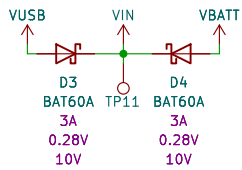
LiPo Charger



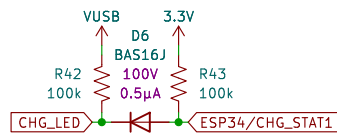
Soft Power Switch



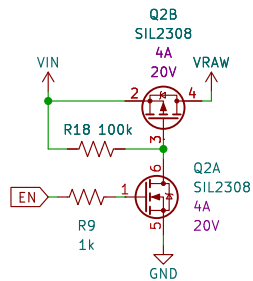
Power Mux



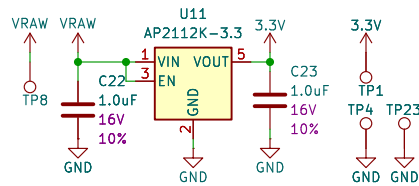
Charger Status



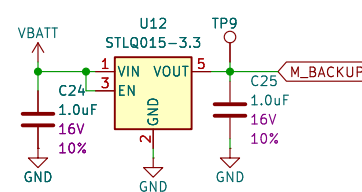
High Side Switch



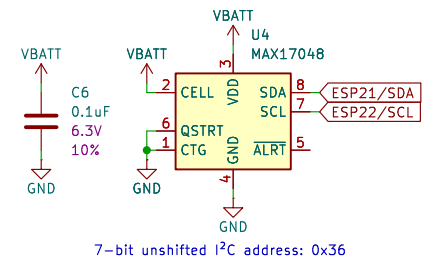
Main 3.3V



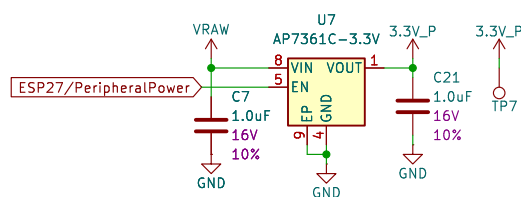
GNSS RTC Backup



Fuel Gauge



Peripheral 3.3V



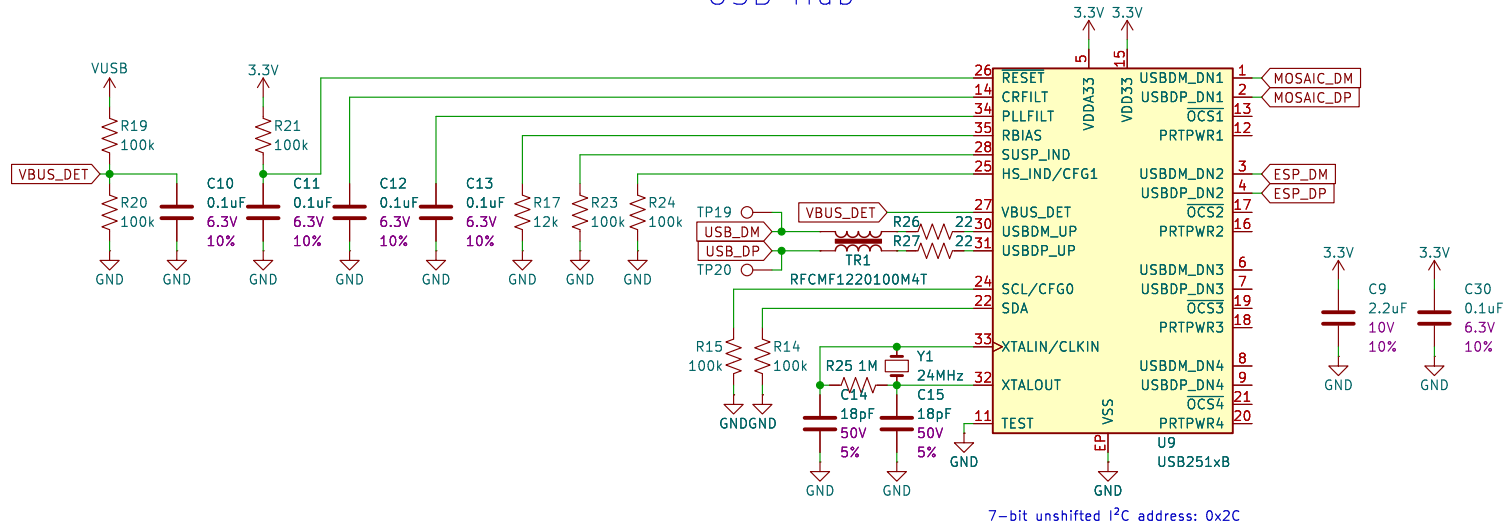
Sheet: /Power/
File: Power.kicad_sch

Title: Power

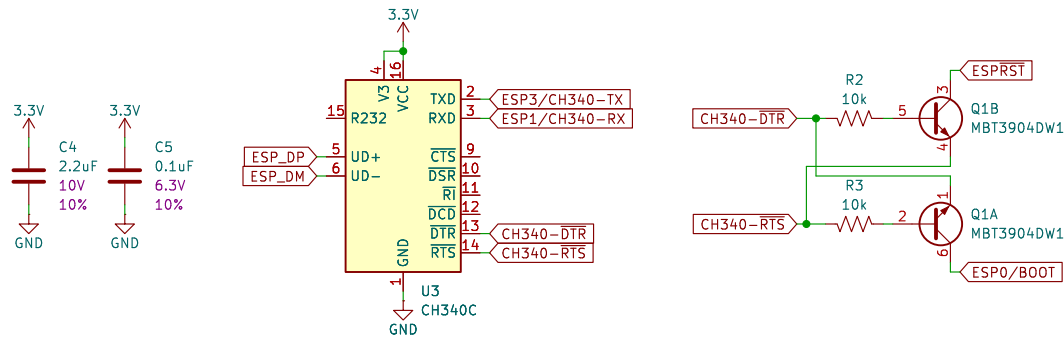
Size: USLetter Date:
KiCad E.D.A. 8.0.7

Rev:
Id: 2/4

USB Hub



ESP32 USB to Serial



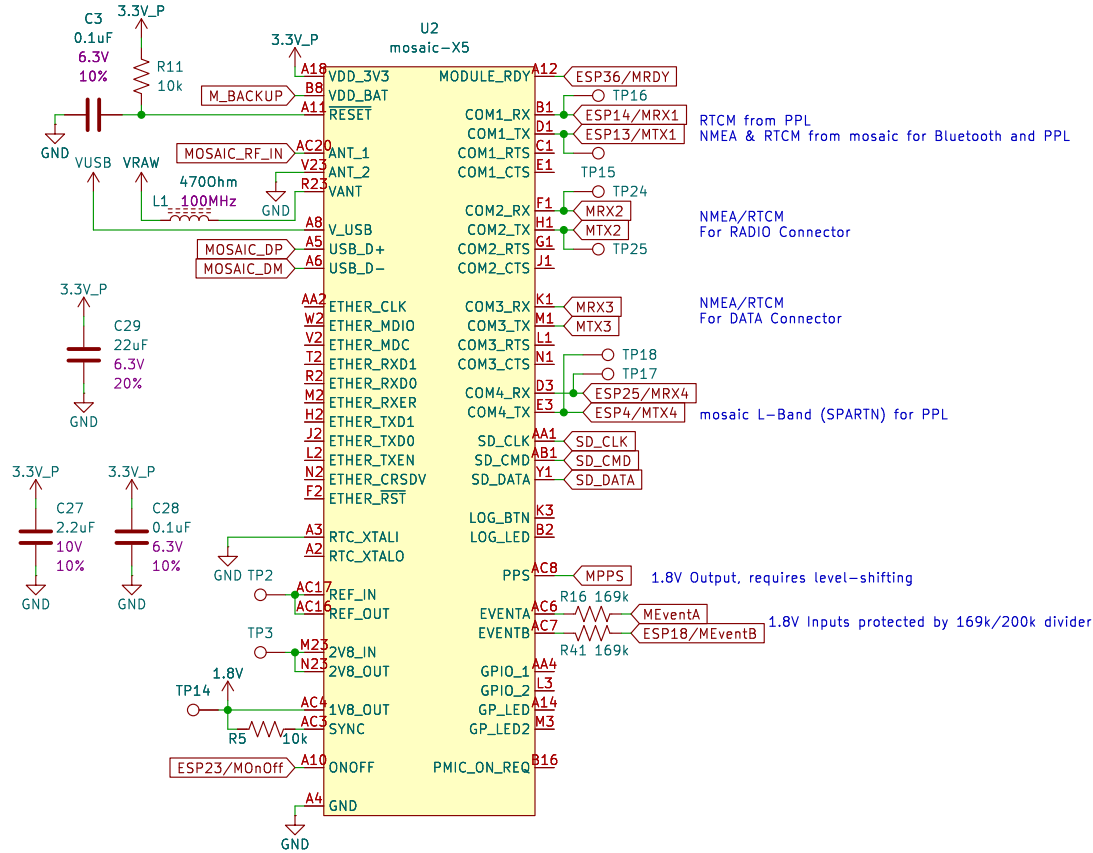
Sheet: /USB/
File: USB.kicad_sch

Title: USB

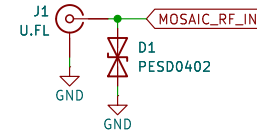
Size: USLetter Date:
KiCad E.D.A. 8.0.7

Rev:
Id: 3/4

mosaic Tri-band GNSS

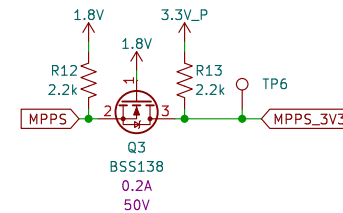


GNSS Antenna

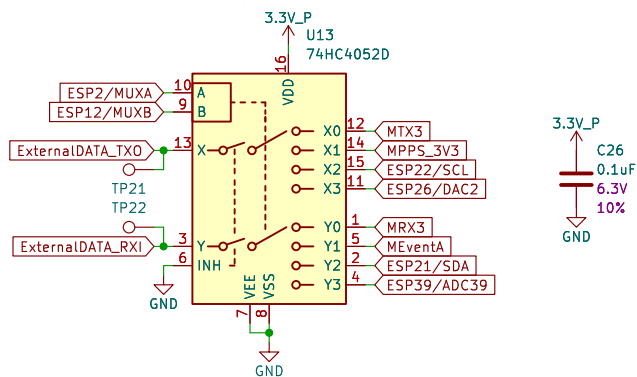


Microstrip Calculation:
 Copper Thickness (1oz): 1.4mil/0.035mm
 Board thickness: 1.6mm
 Dielectric thickness (layer 1 to 2): 0.2mm
 Er: 4.6
 Polygon Isolation: 6mil/0.1524mm
 RF Trace Width: 13mil/0.33mm
<https://chemandy.com/calculators/coplanar-waveguide-with-ground-calculator.htm>

PPS Level-Shifting



Data Output Multiplexer



Sheet: /GNSS/	
File: GNSS.kicad_sch	
Title: GNSS	
Size: USLetter	Date:
KiCad E.D.A. 8.0.7	Rev: Id: 4/4