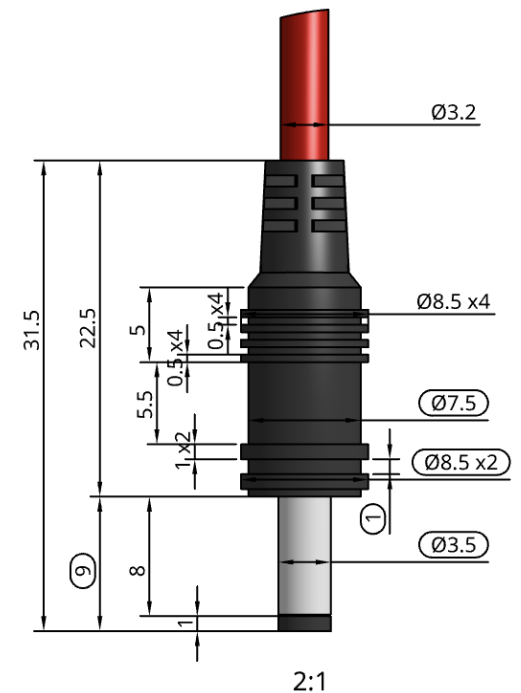
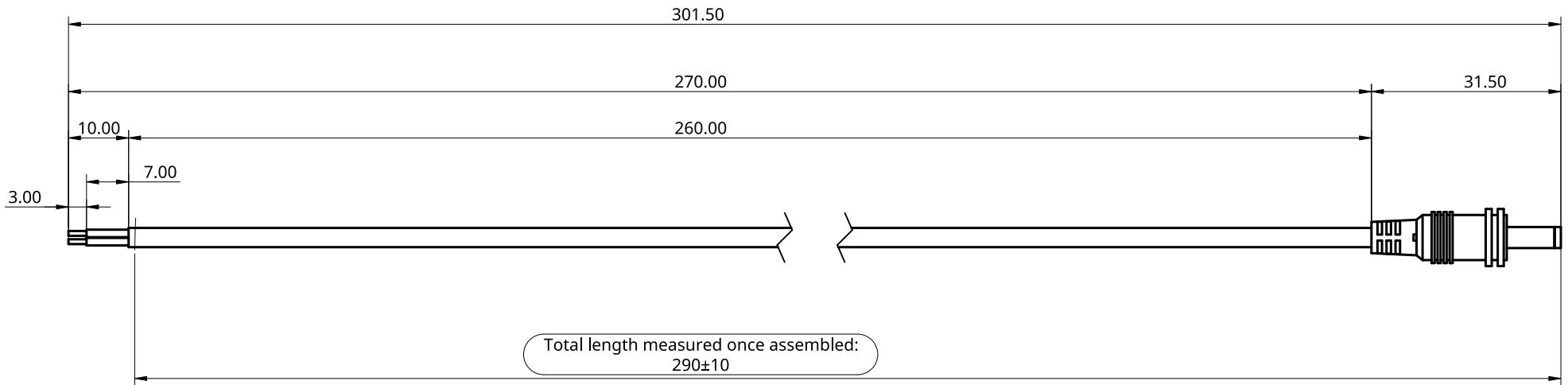


**Voltaic**

This document contains proprietary information and may not be copied or shared without the consent of Voltaic Systems

Drawing Details		Construction		Power Specifications				
Panel Number	P102	All Materials RoHS Compliant		Output Tolerance: ± 10% of Voltage and Current				
Revision	R2H	Substrate	CHARCOAL APC	Solar Cell: EEPV EE6F3B 3BB G1-V				
Engineer	ME	Encapsulant	URETHANE	Nominal Efficiency: 20.7%±		Cell Pieces		12
Approval	SM 2021-05-04	Top Layer	URETHANE	Panel Electrical Rating		Nominal	Expected	
Date Created	2021-02-03	Wire Number	W017	Open-Circuit Voltage	Voc	7.76	7.38	V
Date Modified	2021-07-15	Measured Wire Length	290	Voltage at Max Power	Vp	6.61	6.28	V
Changes	G-1 WITH ORIGINAL HOLE LOCATION	Strain Relief	NONE	Short-Circuit Current	Isc	0.38	0.37	A
Tolerance: ±0.3 mm	Units: mm	Attachment	4-40 SS SCREWS	Current at Max Power	Ip	0.36	0.34	A
Scale: 1:1.8	Sheet: 1/3			Maximum Power	Wp	2.36	2.13	W

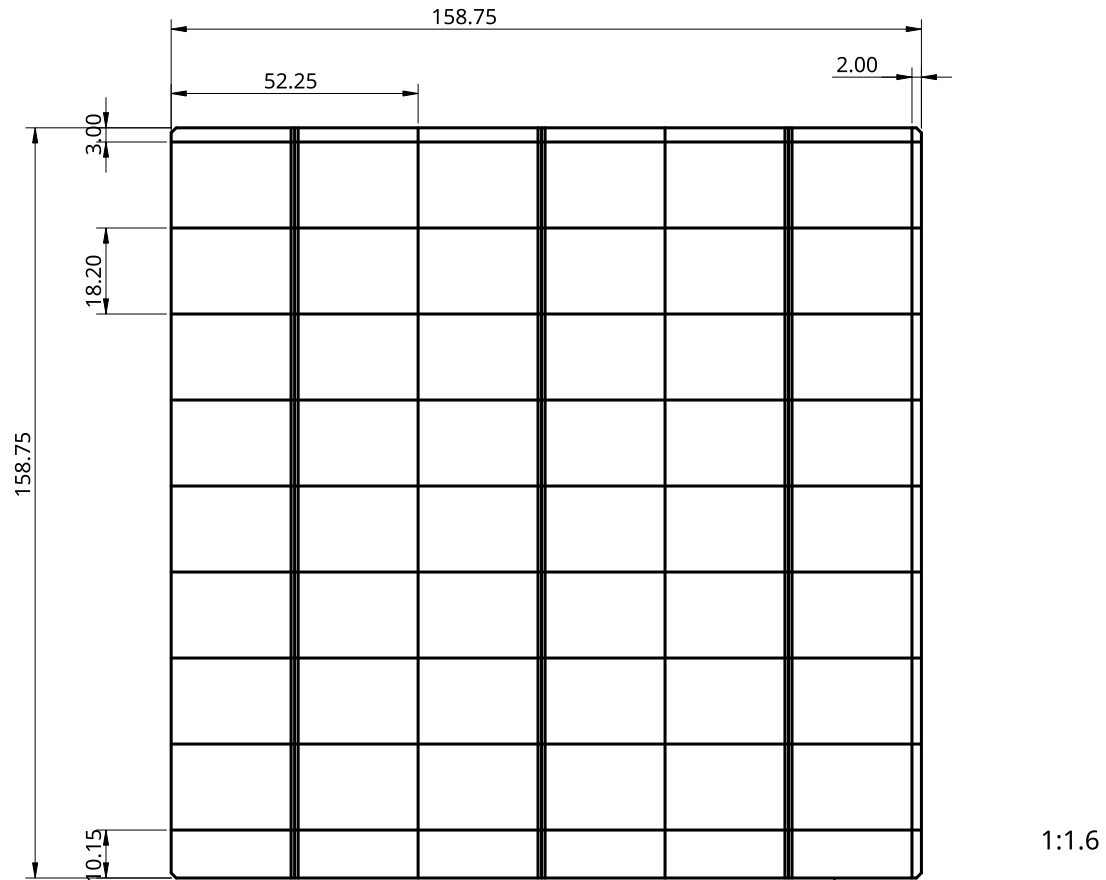


### Drawing Details

### Construction

Wire Number	W017	All Materials RoHS Compliant	
Revision	R1A	Length	301.5 ± 20
Engineer	ME	Gauge	22 AWG
Checked By	SM	Connector	M3511
Date Created	2021-02-03	Crimp	N/A
Date Modified	2021-07-15	Jacket Color	RED
Changes	Stripped Length	Jacket Material	PU
Tolerance: ±0.3 mm	Units: mm	Insulator Colors	RED & BLACK
Scale: 1:1	Sheet: 2/3	Insulator Material	PVC

This document contains proprietary information and may not be copied or shared without the consent of Voltaic Systems



Same CCD as P201

Bottom cuts used for P101



**Cell Cut Diagram**

Cell	EEPV EE6F3B 3BB G1-V	
Cell Efficiency	>20.7%	
Panel Reference	P102	
Panel Revision	R2H	
Date Created	2021-02-03	
Engineer	2021-07-15	
Reviewed By	SM	
Tolerance: $\pm 0.3$ mm	Units: mm	
Scale: 1:1.8	Sheet: 3/3	