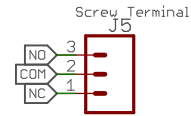
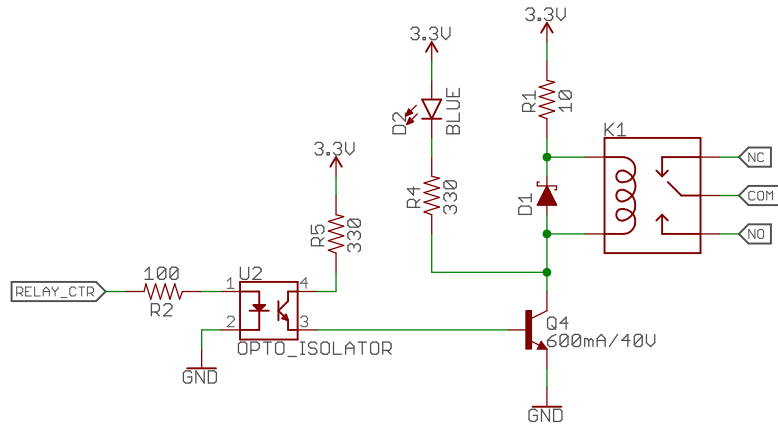
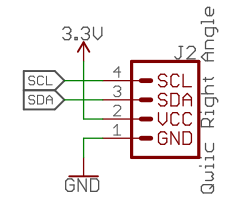
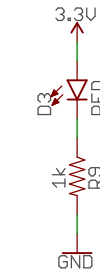


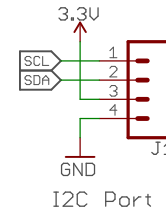
The board is designed for a 15°C temperature rise allowing for a continuous current draw of 5.5A. The relay can handle 10 A at 110VAC for short pulses (under 20 seconds).



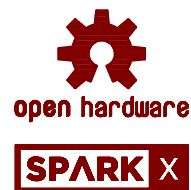
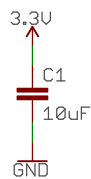
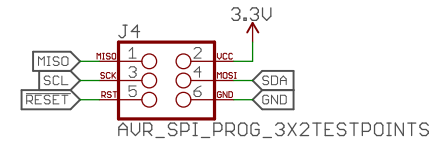
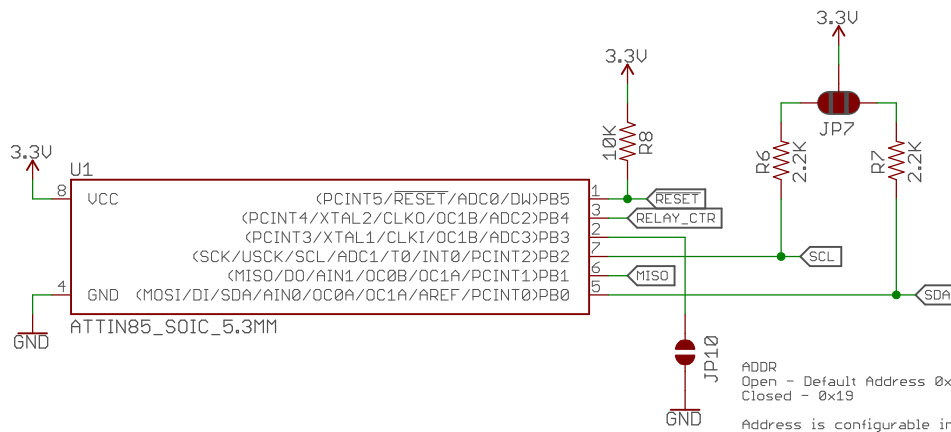
Power LED



Qwiic Right Angle



I2C Port



Released under the Creative Commons Attribution Share-Alike 4.0 License
<https://creativecommons.org/licenses/by-sa/4.0/>

TITLE: Qwiic_Relay

Design by: Kevin Kuwata

REV:
2

Date: 4/23/2018 12:43 PM

Sheet: 1/1