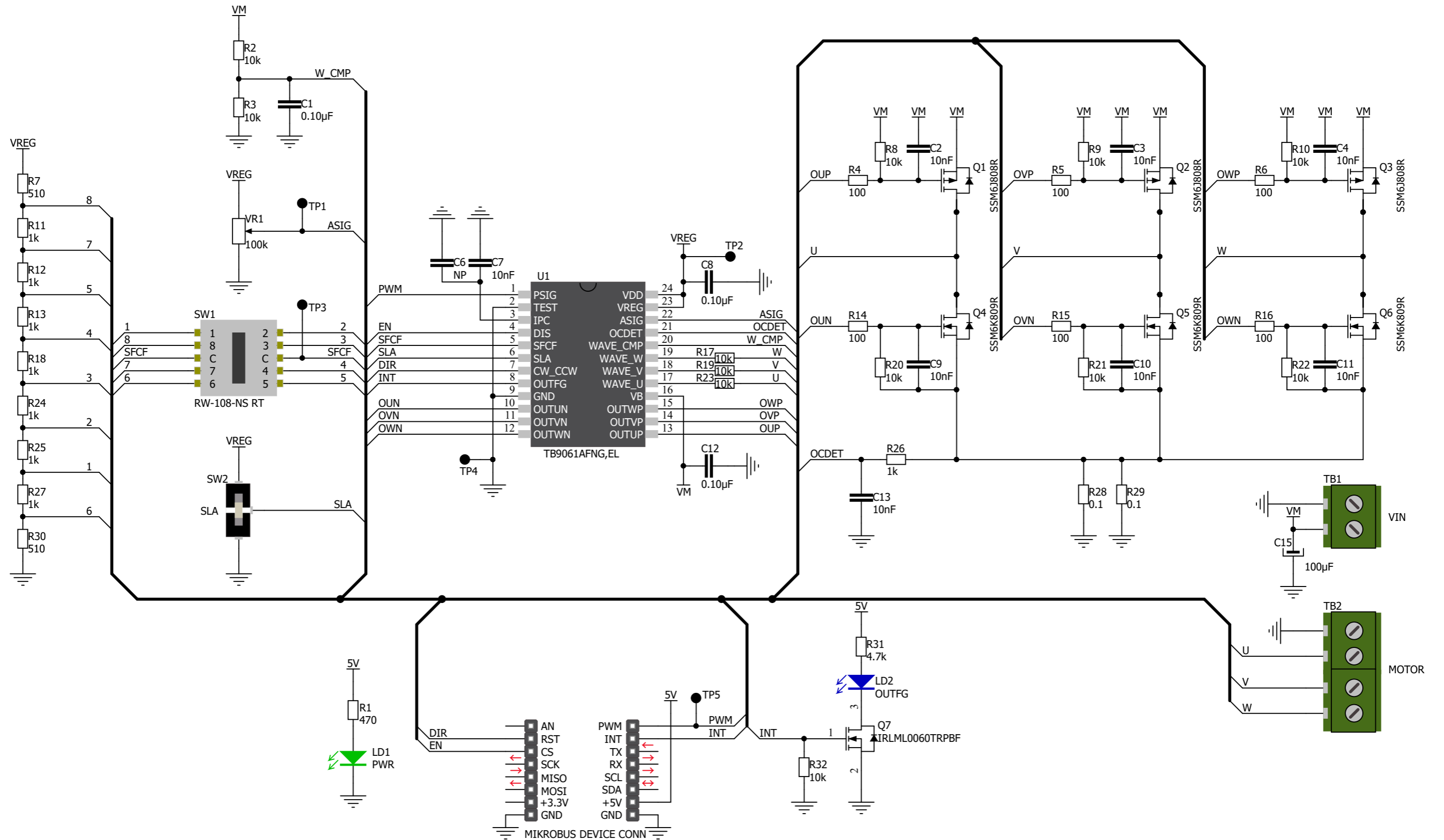


Brushless 15 Click schematic v101



www.mikroe.com