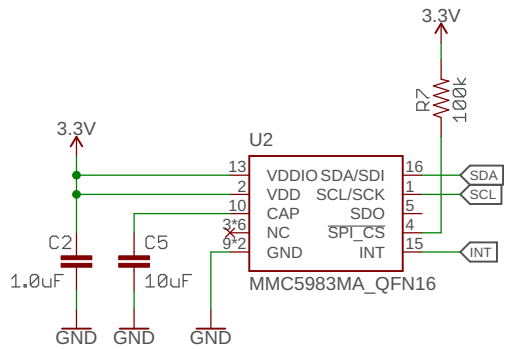


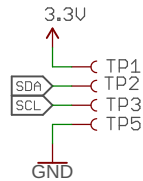
Magnetometer - MMC5983MA

VDD Range: 2.8V - 3.6V
 VDDIO Range: 2.8V - 3.6V

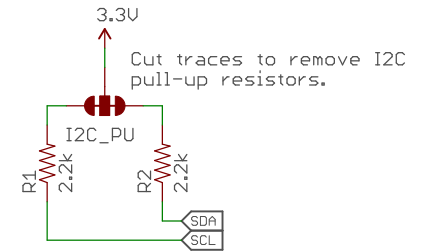
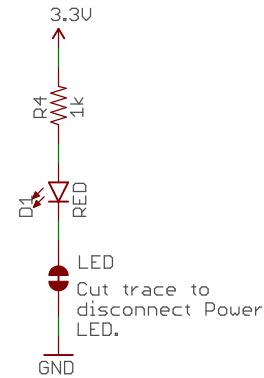
I2C address: 0x30



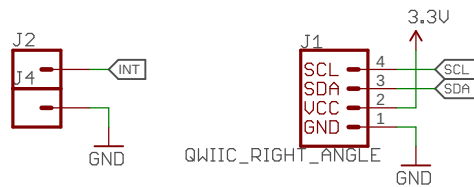
Testpoints



Jumpers



Connectors



Released under the Creative Commons
 Attribution Share-Alike 4.0 License
<https://creativecommons.org/licenses/by-sa/4.0/>



TITLE: SparkFun_Magnetometer_MMC5983MA_Qwiic_Micro

Design by: Elias Santistevan

REV:
v01

Date: 5/10/2022 12:23 PM

Sheet: 1/1