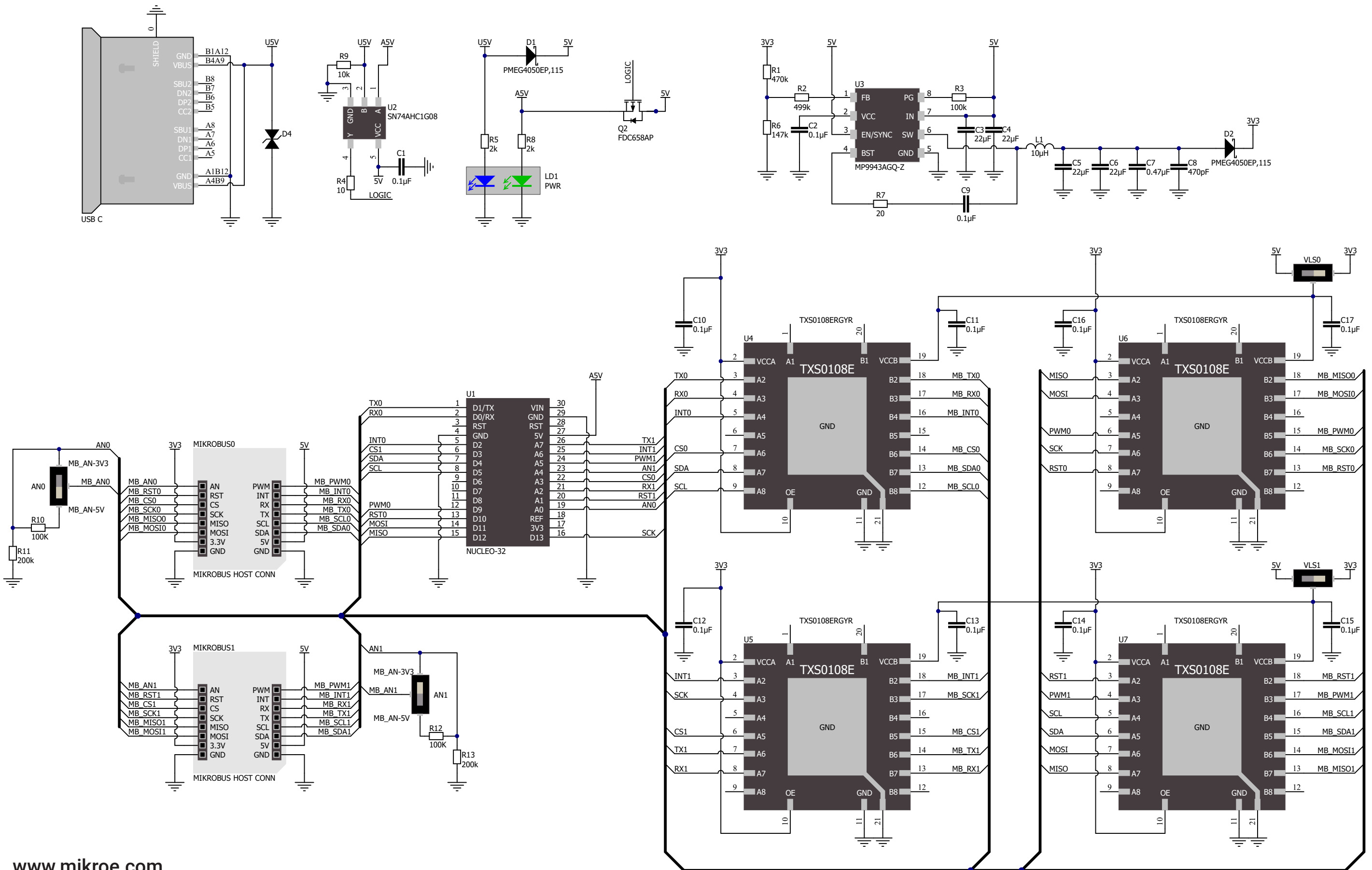


Click Shield for Nucleo-32 schematic v101



www.mikroe.com