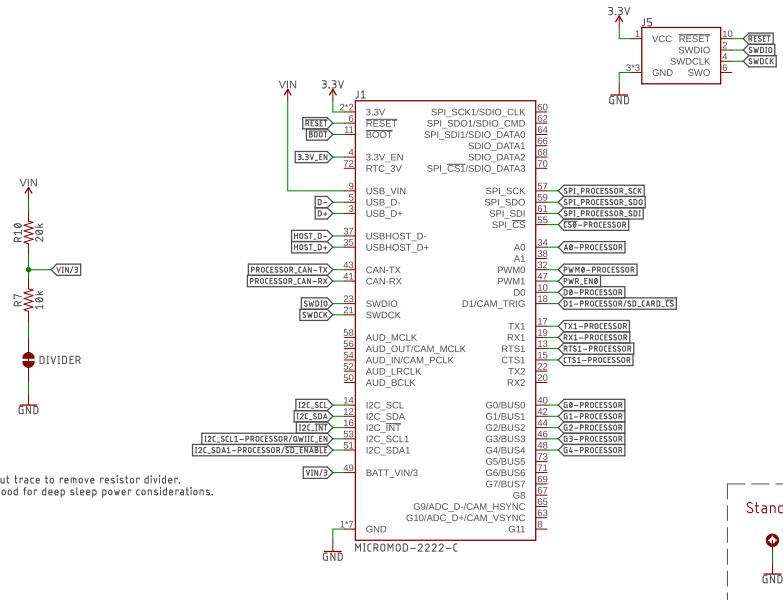
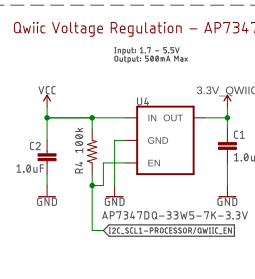
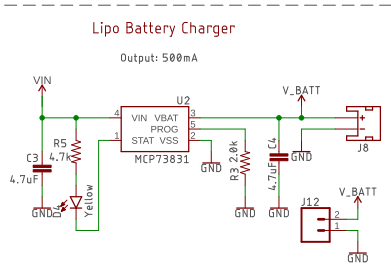
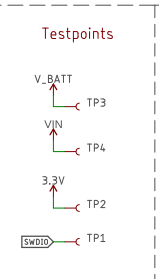
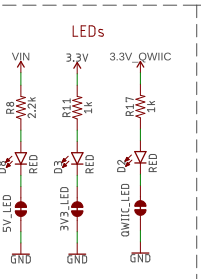
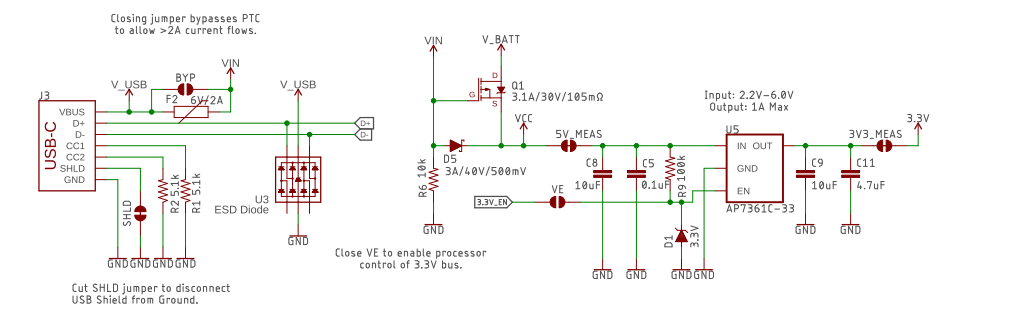


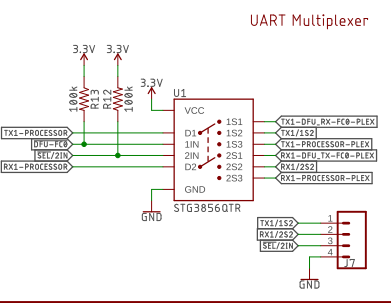
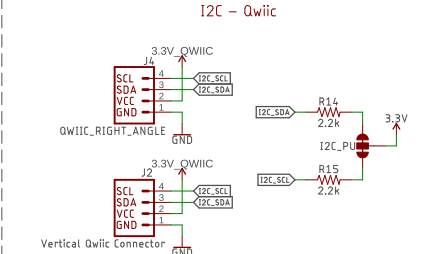
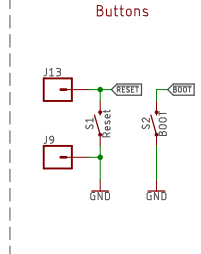
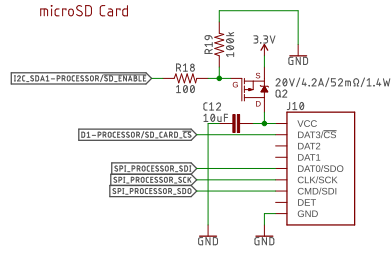
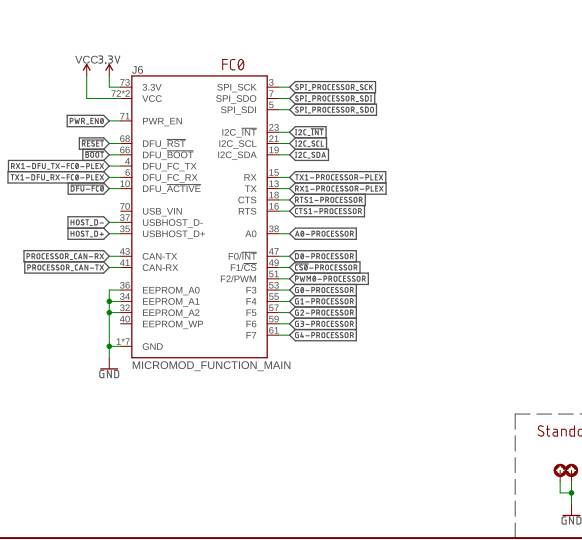
Processor Board Connector



Processor Voltage Regulation



Function Board Connectors



1IN	2IN	D->S
L	L	High Z
L	H	S1
H	L	S2
H	H	S3 (default)

Released under the Creative Commons Attribution Share-Alike 4.0 License
<https://creativecommons.org/licenses/by-sa/4.0/>

TITLE: SparkFun_Main_Board_Single_v21

Design by: Elias Santestevan REV: v21

Date: 1/3/2023 12:19 PM Sheet: 1/1