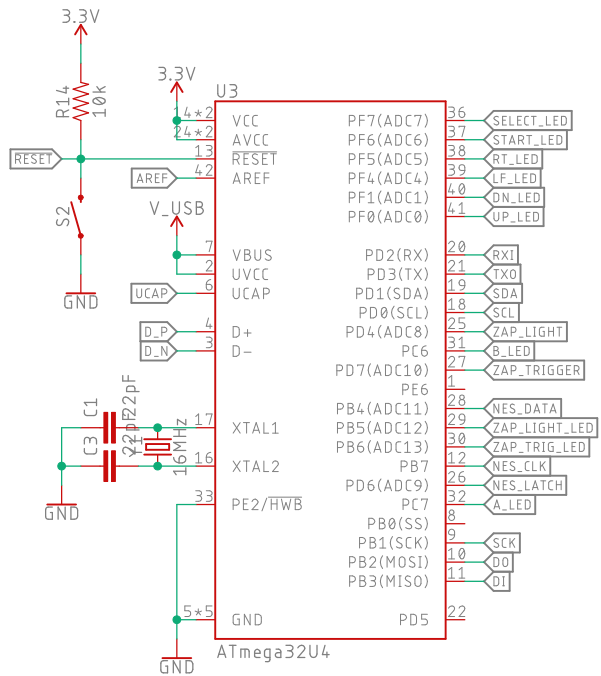
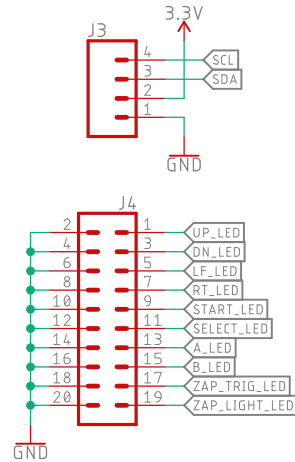


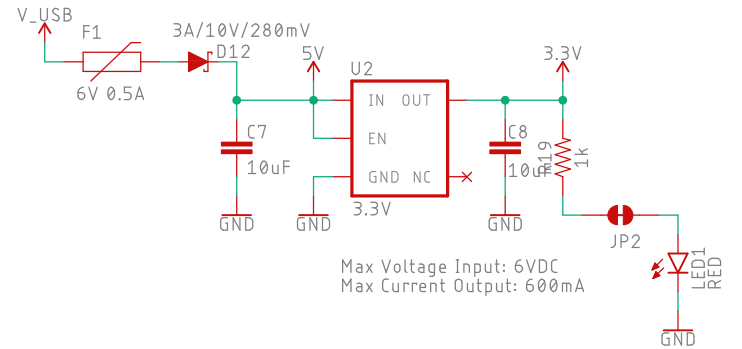
ATmega32u4



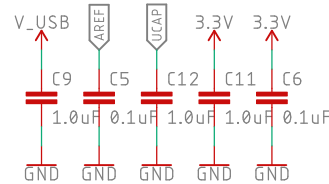
0.1" Headers



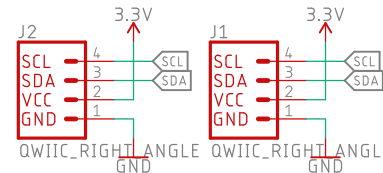
Voltage Regulator



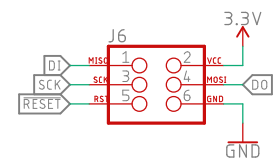
Decoupling



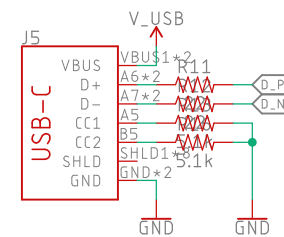
Qwiic Connectors



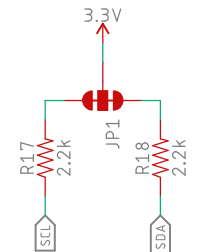
AVR ISP



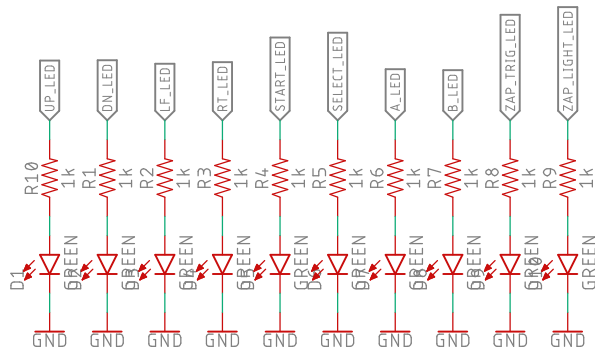
USB



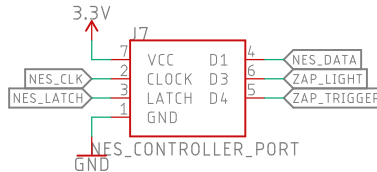
I²C Pull-Up



Indicator LEDs



NES Connector



Released under the Creative Commons Attribution Share-Alike 4.0 License
<https://creativecommons.org/licenses/by-sa/4.0/>

TITLE: The_QwiicNES

Design by:

REV:

Date: 3/3/2021 2:45 PM

Sheet: 1/1