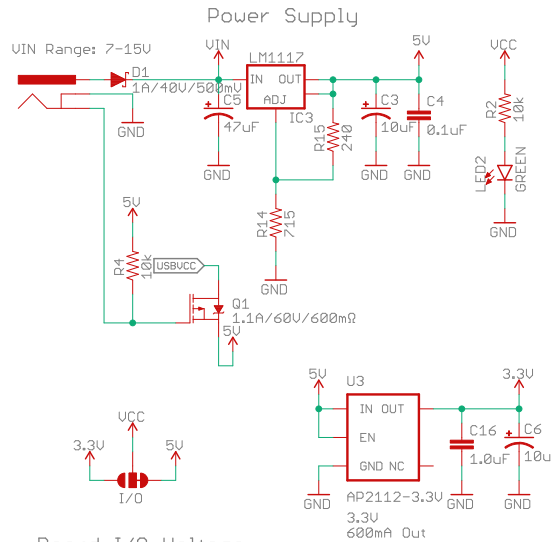
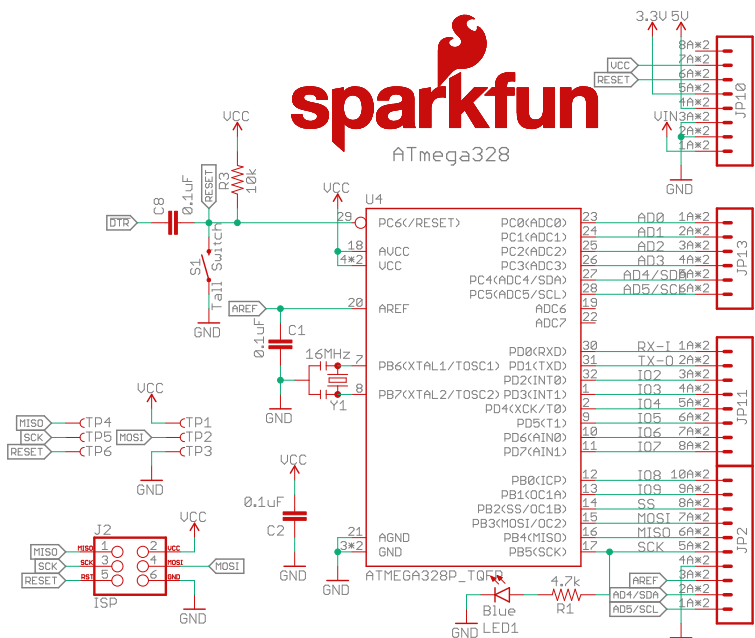




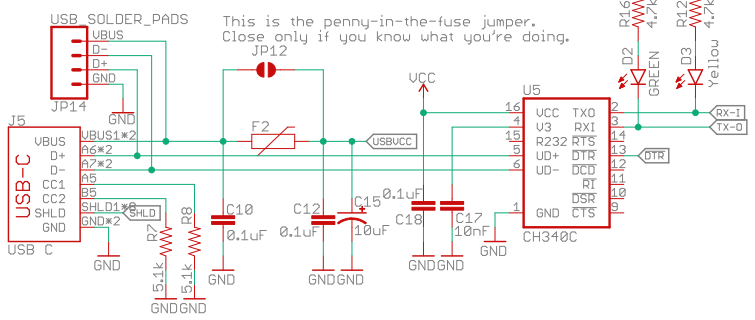
ATmega328



To convert the board to 3.3V you must cut the jumper to 5V and use solder to close the jumper towards 3.3V.



USB-to-Serial Converter



This is the penny-in-the-fuse jumper. Close only if you know what you're doing.

Trace width calculation:  
 2A, 1oz. copper  
 10C rise in temperature  
 30.8 mil width  
<https://www.eeweb.com/tools/external-pcb-trace-max-current>

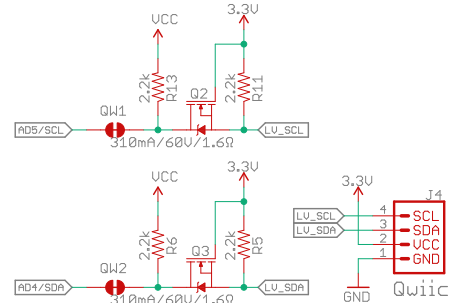
Released under the Creative Commons Attribution Share-Alike 4.0 License  
<https://creativecommons.org/licenses/by-sa/4.0/>

TITLE: BlackBoard

Design by: Jim Lindblom, N. Seidle  
 Based on Arduino by: M.Banzi, D.Cuartielles, T.Igoe, G.Martino, D.Mellis

Date: not saved! Sheet: 1/1

Qiic 3.3V Conversion



Note: Cut QW1 and QW2 to disconnect Qiic and allow A4/A5 as analog inputs.