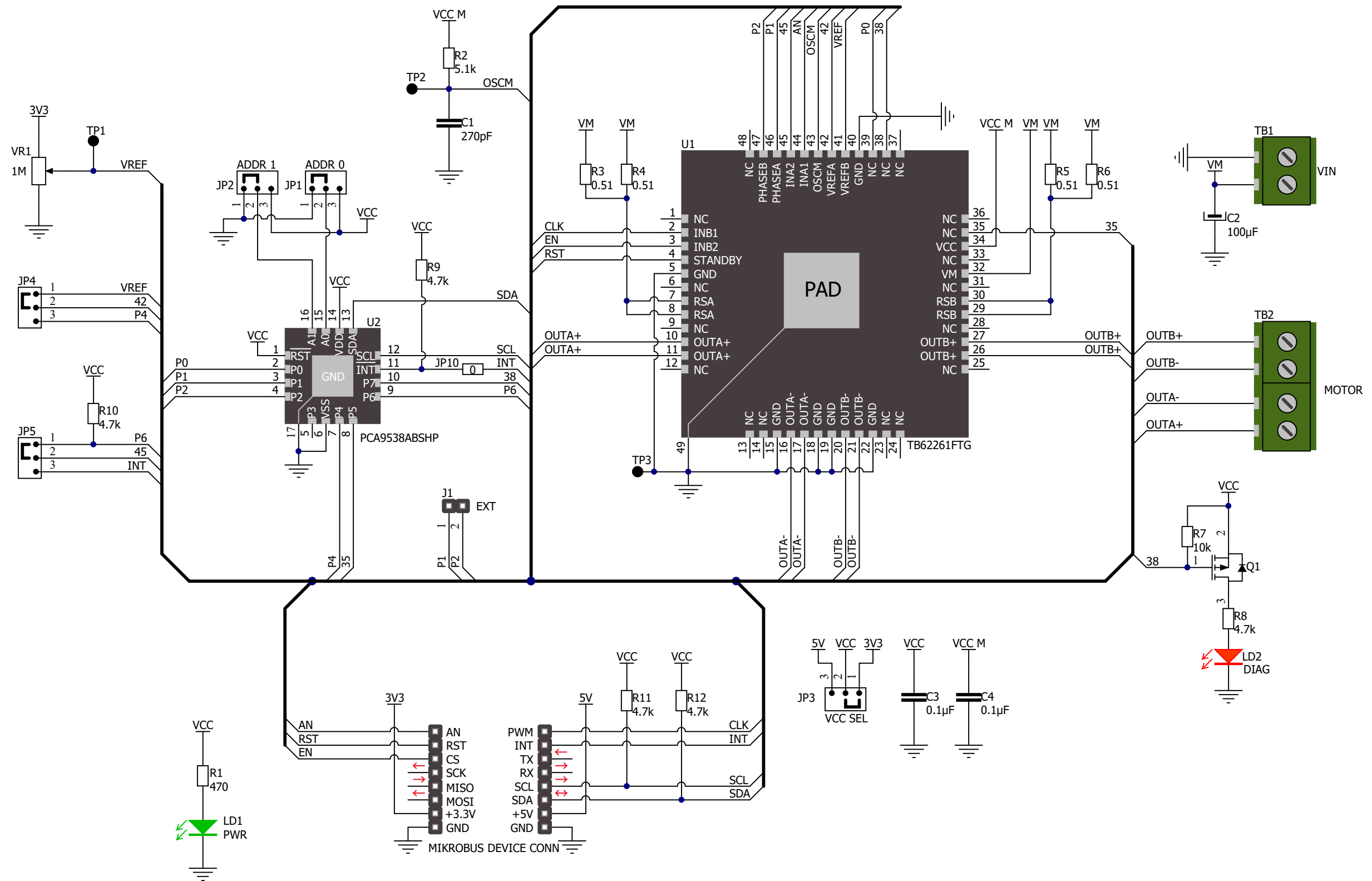


Multi Stepper Click - TB62269 schematic v100



www.mikroe.com