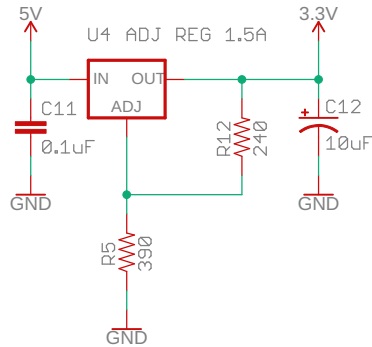
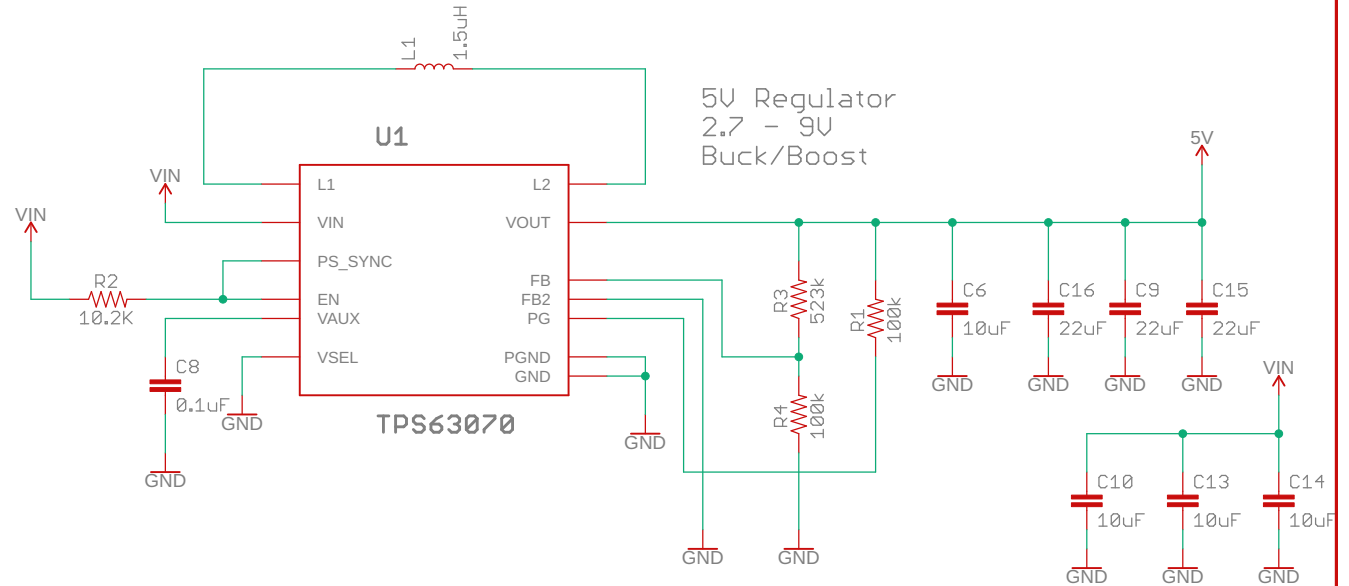


Voltage Regulation

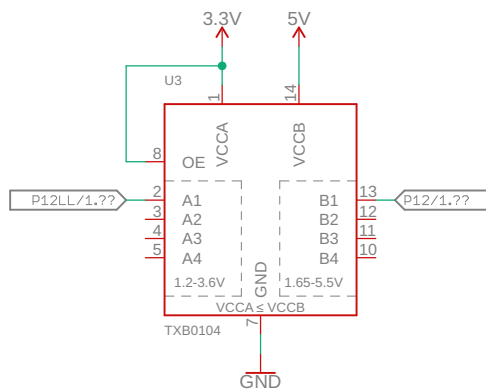
3.3V Regulator
5V input from TPS REG
Powers LEDs, 3.3V OUT



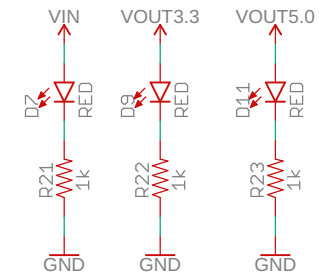
5V Regulator
2.7 - 9V
Buck/Boost



Logic Level conversion for addressable LEDs



Status LEDs



Released under the Creative Commons
Attribution Share-Alike 4.0 License
<https://creativecommons.org/licenses/by-sa/4.0/>

TITLE: gator-bit

Design by: Mary West
Revised by: Andy England

REV:
v20

Date: 6/3/2020 11:06 AM

Sheet: 2/2