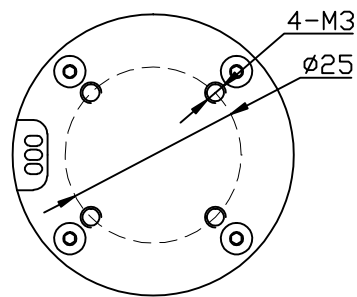
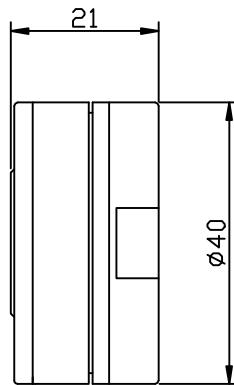
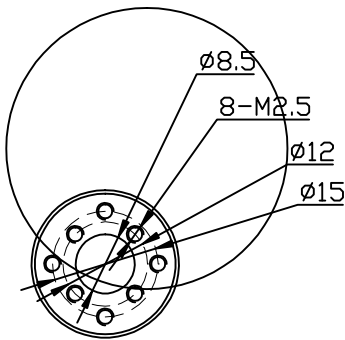


## DM3505/3505EC Gimbal Motor

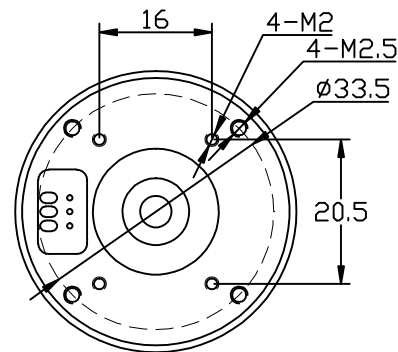
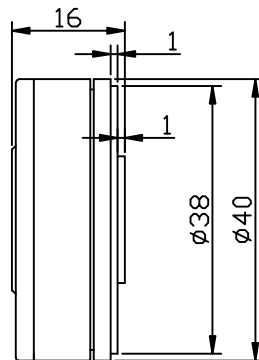
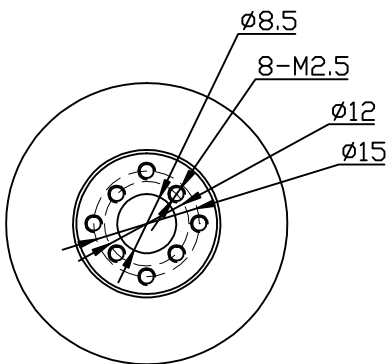
\*\*mm gimbal motor, without and with encoder case



### Dimension



(with encoder case)



(without encoder case)

### Specification

Motor Data	Unit	Type:DM3505/3505EC
1 Nominal voltage	V	12
2 Nominal current	A	1.1
3 Nominal torque	N.m	0.09
4 Nominal speed	rpm	467
5 Max speed	rpm	1610
6 Stall torque	N.m	0.15
7 Stall current	A	1.9
8 Winding turns of motor	T	40
9 Phase to phase resistance	$\Omega$	6.34
10 Phase to phase inductance	mH	1.08
11 Speed constant	rpm/V	117
12 Torque constant	Nm/A	0.08
13 Rotor inertia	gcm <sup>2</sup>	56
14 Number of pole pairs		11
15 Weight	g	58.3/71
16 Working temperature	°C	20/80
17 Max demagnetize temperature	°C	120
18 Encoder type		AS5048A/AS5600