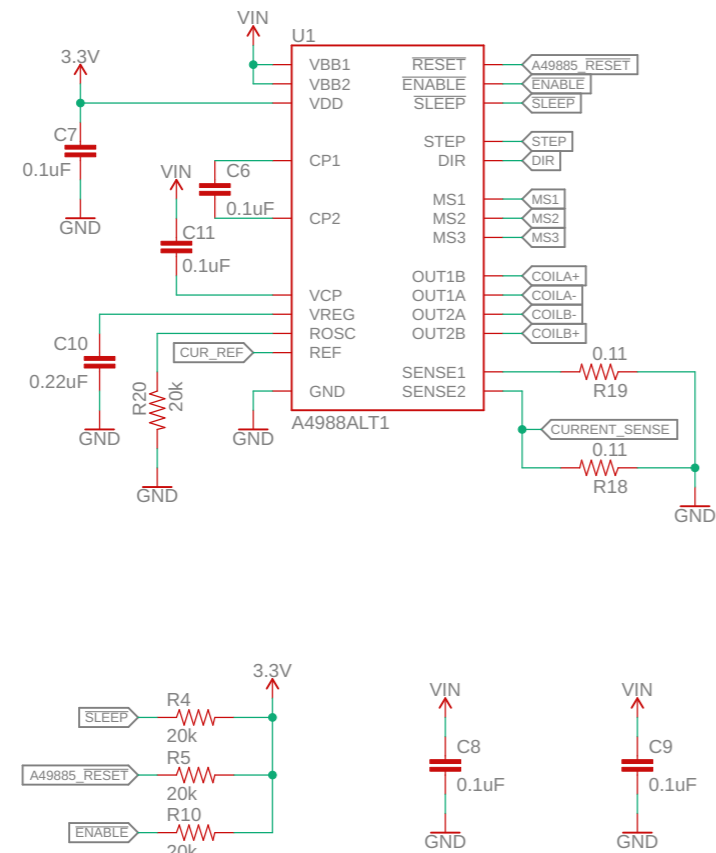
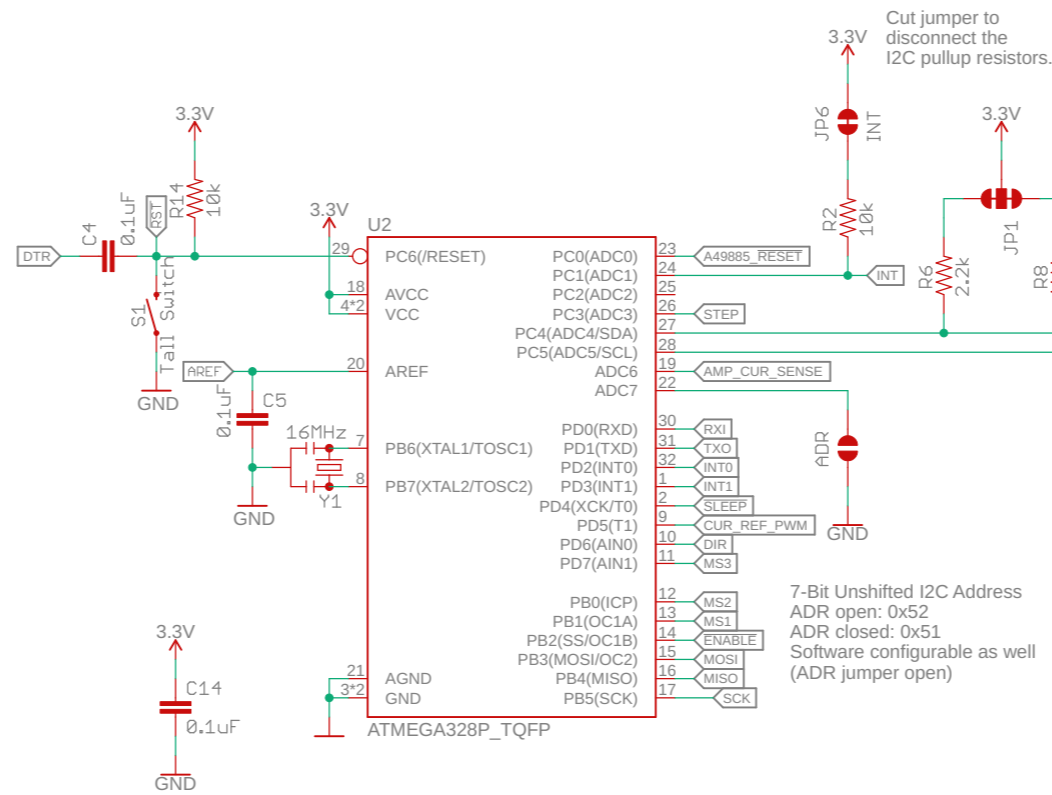


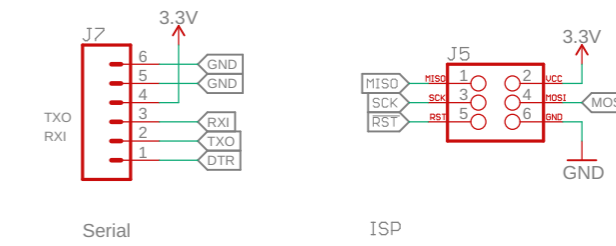
Stepper Driver



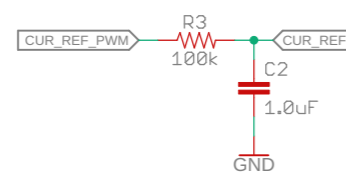
ATmega328



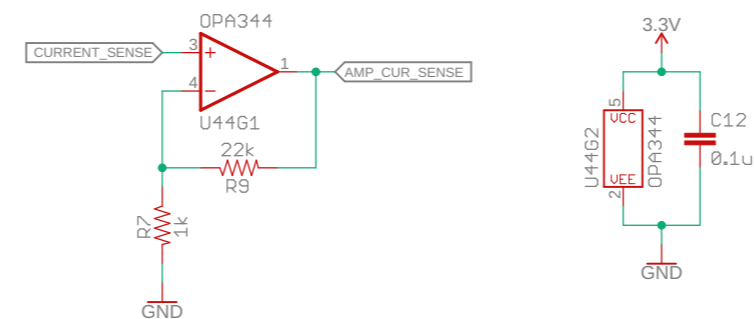
Programming Connectors



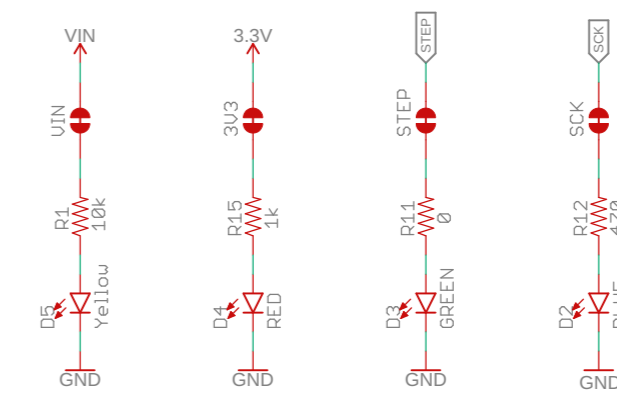
Max Coil Current



Non-Inverting OpAmp (A = 23)

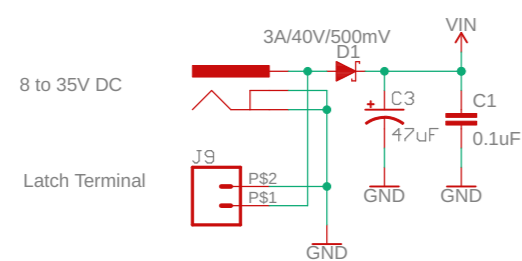


LEDs

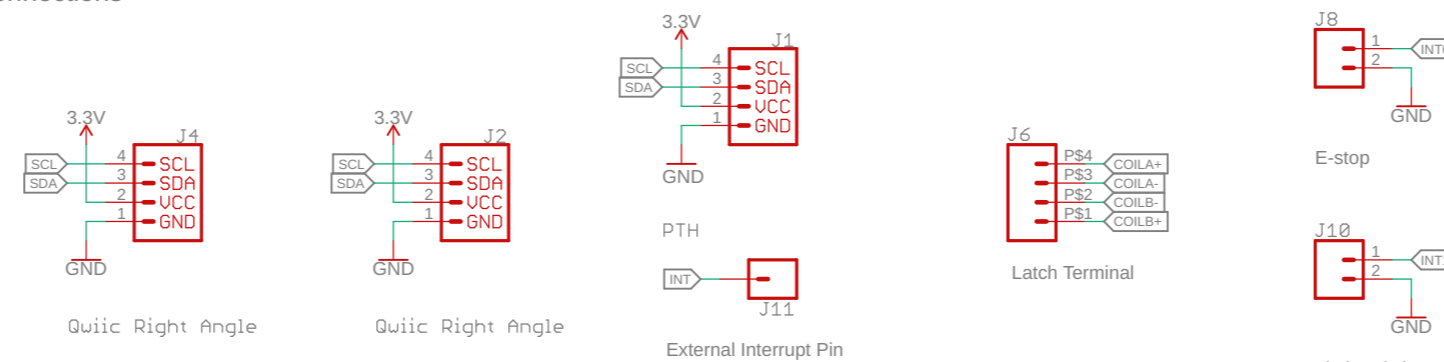


NOTE: These jumpers normally closed. Cut them to disable LEDs.

External Power



Connections



NOTE: This is only a "soft" E-stop. Will not power down all systems, but will stop the motor.



Released under the Creative Commons Attribution Share-Alike 4.0 License <https://creativecommons.org/licenses/by-sa/4.0/>

TITLE: Qwiic-Step	
Design by: Priyanka Makin	REV: X02
Date: 3/20/20 8:06 PM	Sheet: 1/1