

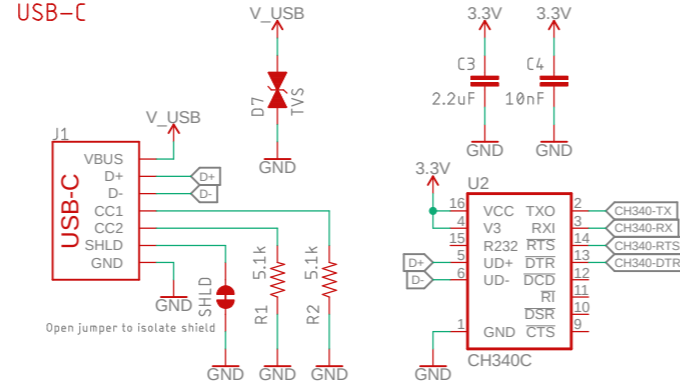
### ESP32 WROOM

Use boot control pins with caution: 0, 2, 5, 12, 15

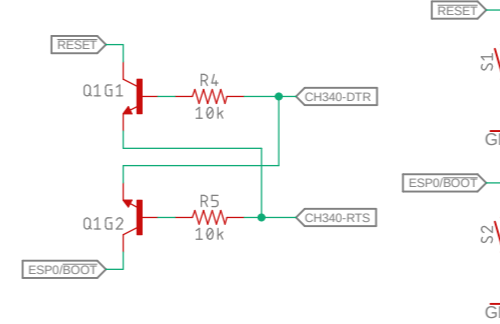
I00: Avoid device connections. Can be used as a stat LED.  
 I02: Avoid external pullups - will cause bootloader fail.  
 I05: Has builtin pullup at POR.  
 I012: Avoid external pullups - will cause bootloader fail.  
 I015: Has builtin pullup at POR.

ADC2 is unavailable when WiFi is enabled.

### USB-C



### Reset and Boot



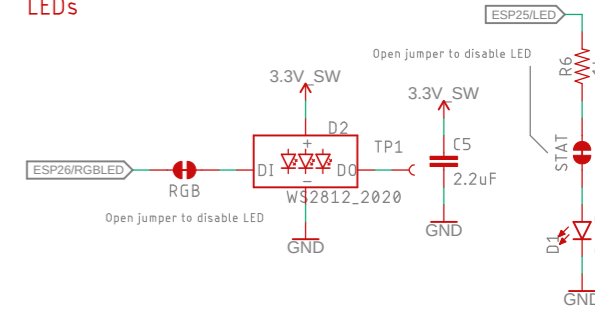
#### Boot Mode Configuration

Pin	Run	Bootloader	Default
I00	1	0	1
I02	x	0	0
I05	1	x	1
I012	0	0	0
I015	x	x	1

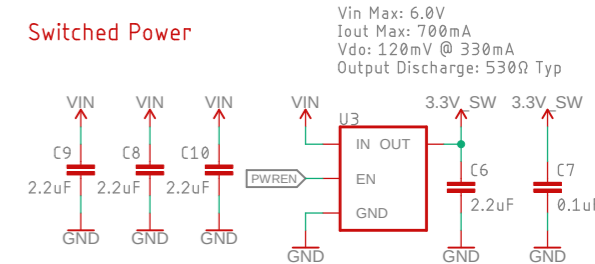
I012 = MDTI, I015 = MDT0

If DTR is LOW, toggling RTS from HIGH to LOW resets to run mode.  
 If RTS is HIGH, toggling DTR from LOW to HIGH resets to bootloader.

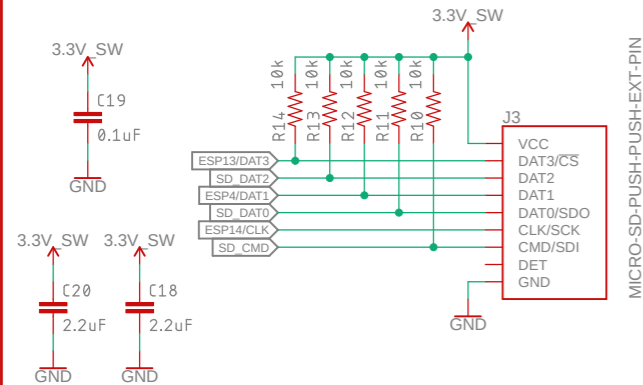
### LEDs



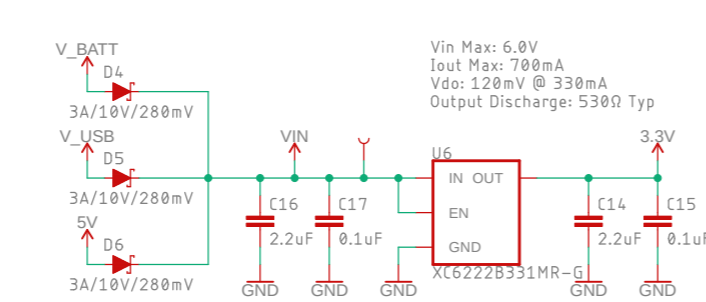
### Switched Power



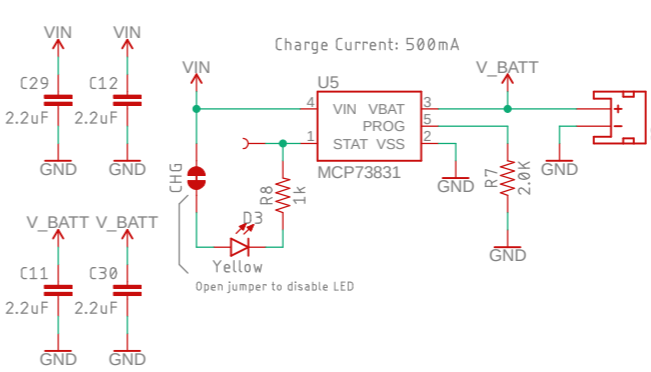
### microSD



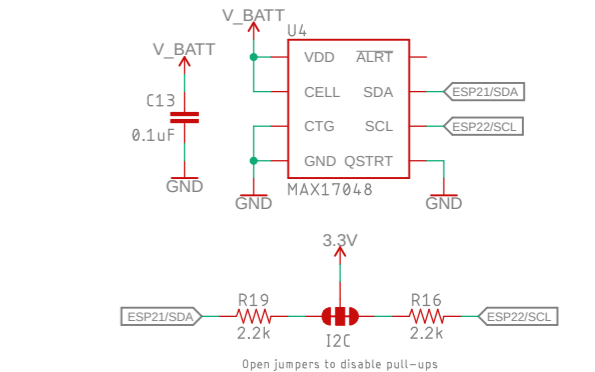
### System Power



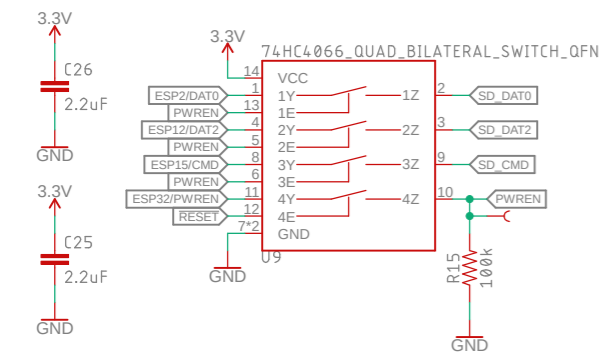
### LiPo Battery Charger



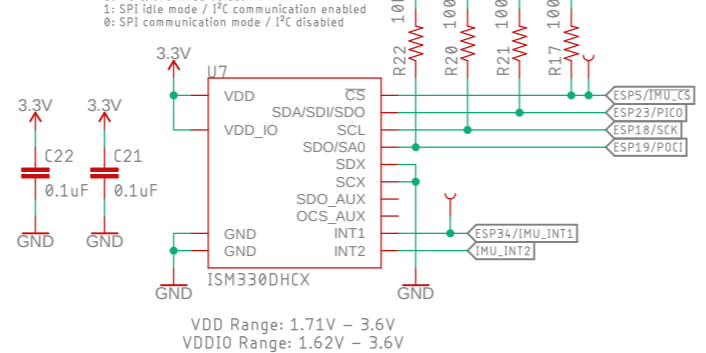
### Fuel Gauge



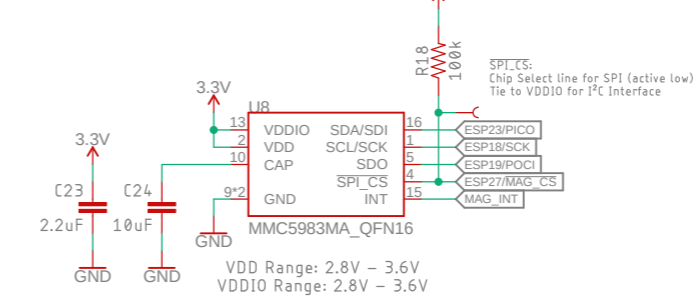
### Strapping Pin Isolation



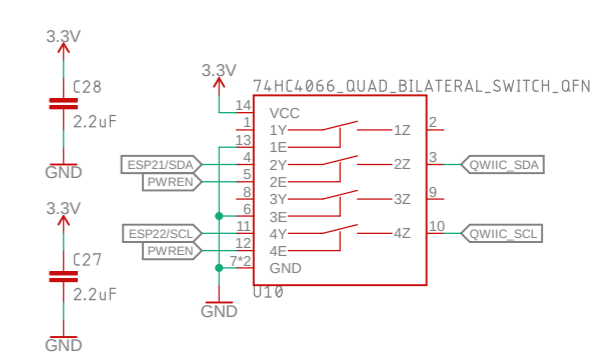
### IMU



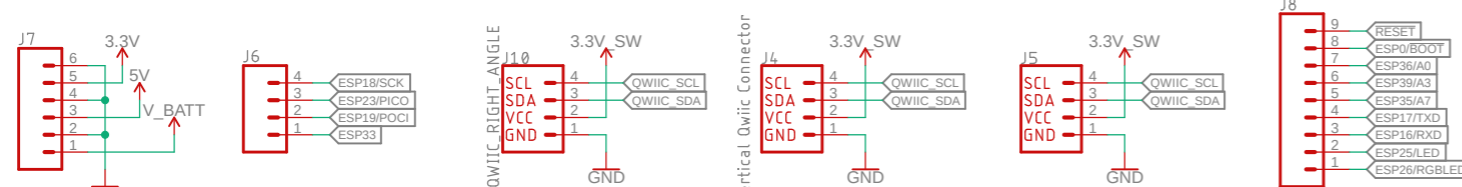
### Magnetometer



### Qwiic Bus Isolation



### Breakouts and Connectors



Released under the Creative Commons Attribution Share-Alike 4.0 License  
<https://creativecommons.org/licenses/by-sa/4.0/>

TITLE: SparkFun\_DataLogger\_IoT\_9DOF

Design by: Paul Clark

REV: v11

Date: 06/02/2023 17:07

Sheet: 1/1