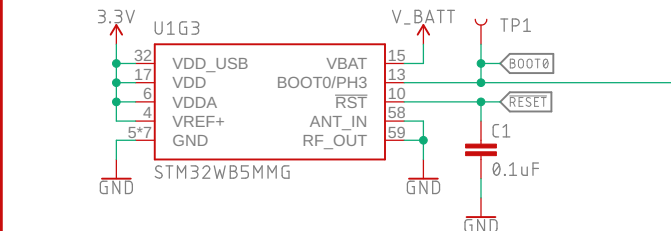
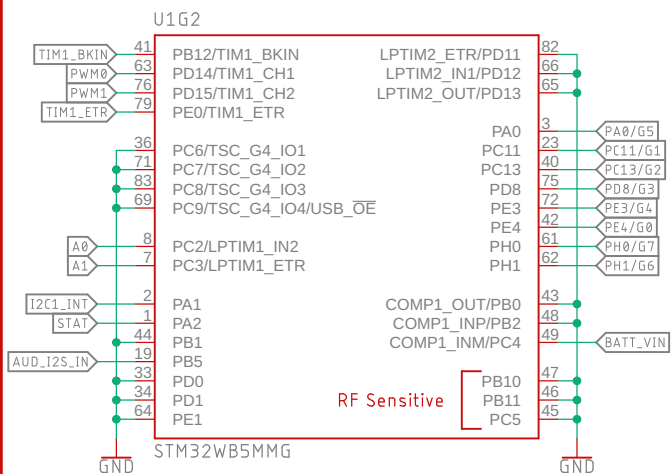
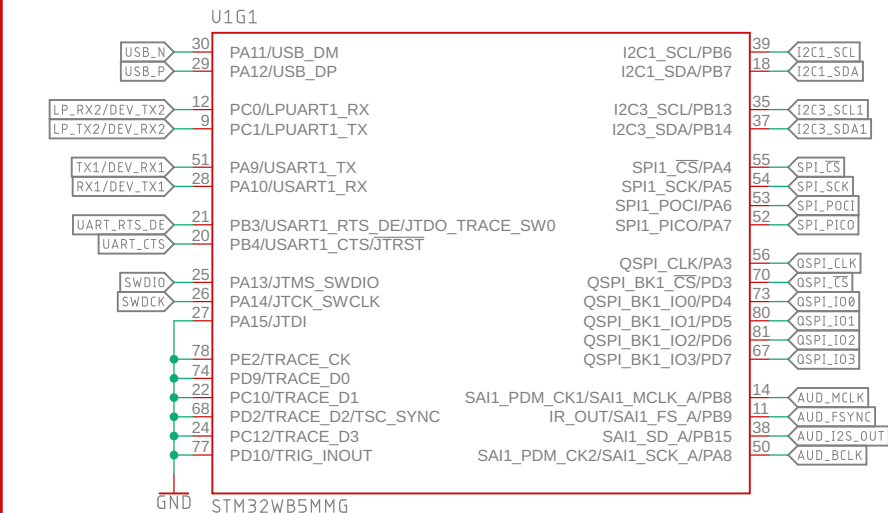


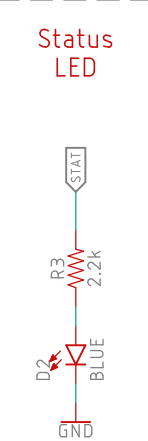
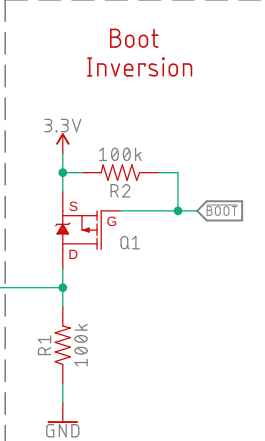
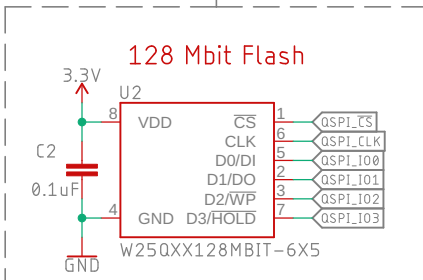
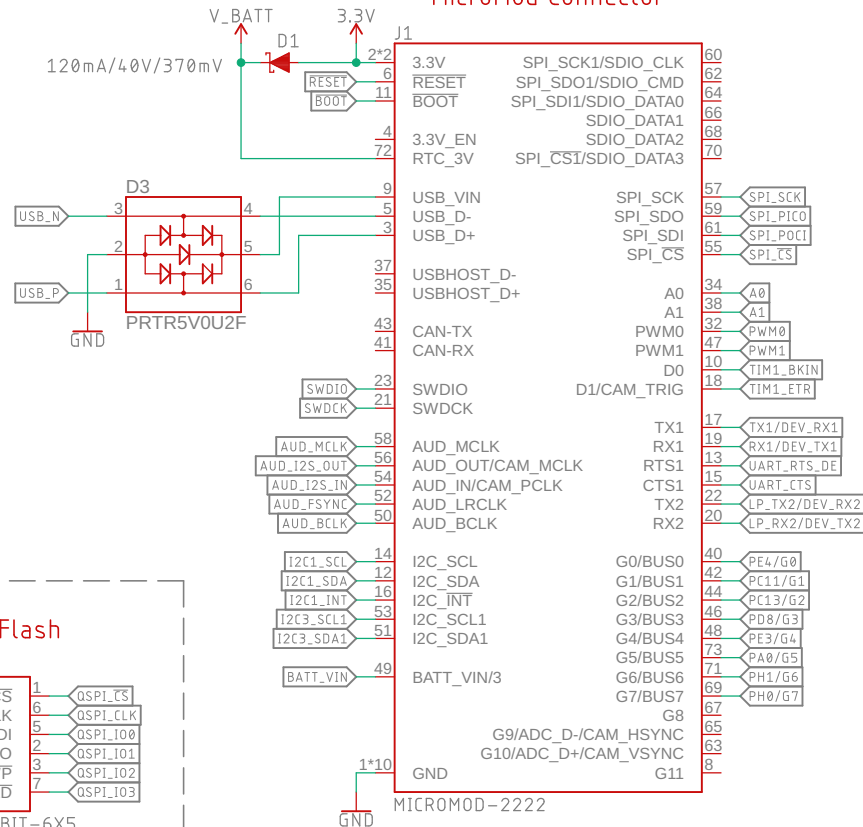
STM32WB5MMG

VDD Range: 1.8 – 3.6V



Note: Decoupling capacitors are integrated onboard the module.

MicroMod Connector



Released under the Creative Commons Attribution Share-Alike 4.0 License
<https://creativecommons.org/licenses/by-sa/4.0/> THIS IS A FOUR-LAYER BOARD!

TITLE: MicroMod_Processor_STM32WB5MMG

Design by: Alex Brudner

REV: v10

Date: 6/12/2023 12:24 PM

Sheet: 1/1