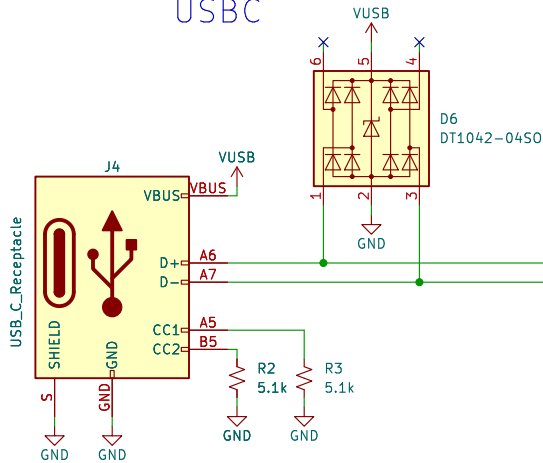


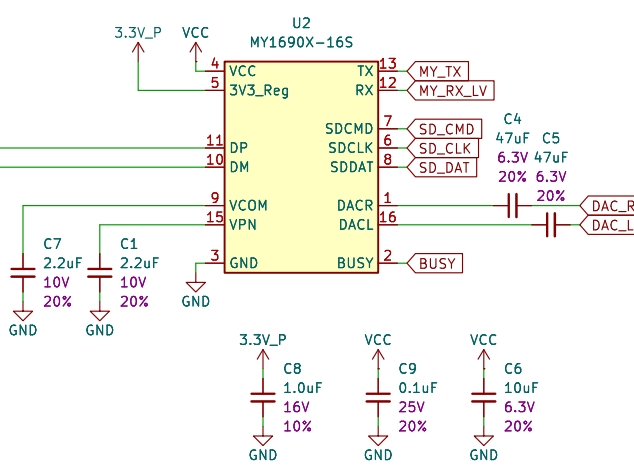
## USBC



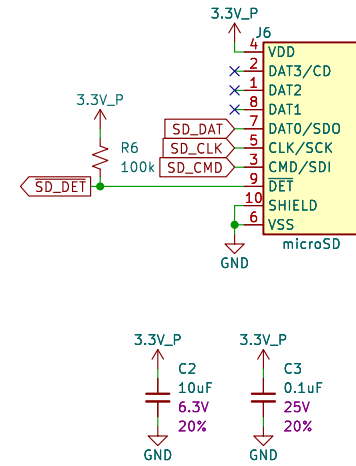
USB D+D- Trace Calculations:  
 Cu Thickness (1 oz.): 0.035mm  
 Board Thickness: 1.6mm  
 Er (7628): 4.4  
 Trace Width: 0.28mm (10.9mils)  
 Space: 0.18mm (7mils)  
 Dielectric Thickness: 0.21mm (8.28mils)  
 Target Impedance: 90 Ohm  
 Actual Impedance: 90.18 Ohm

## Audio Player IC

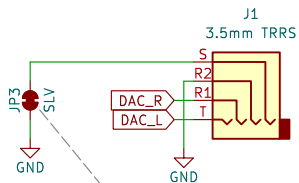
MY1609 requires 3.4V to 5V



## micro SD Socket

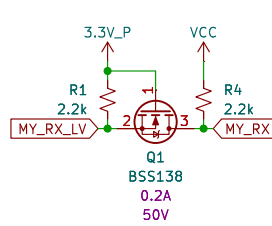


## Audio Output (3.5mm TRRS)

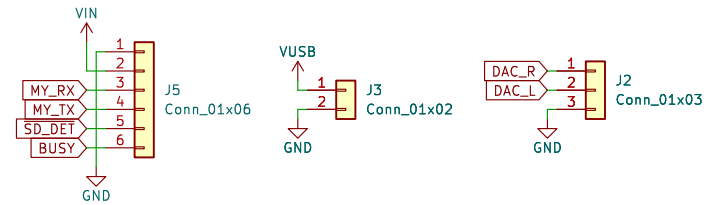


Cut SLV jumper to free up the sleeve of the TRRS connector/cable.  
 Note, most earbuds with built-in mics send the MIC signal on the sleeve of their TRRS cable connector.

## Serial Conversion

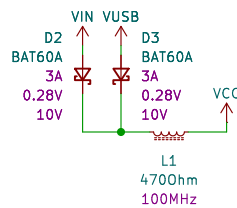


## PTH Header Pins



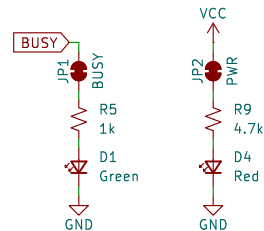
## Power Input

VIN: 3.4V to 5V



## LEDs

Cut BUSY and/or PWR jumper to disable LEDs as you wish.



Designed by: P. Lewis  
 Based on the MP3 Trigger Shield R3 by N. Seidle



Sheet: /  
 File: SparkFun\_Audio\_Player\_Breakout\_MY1690X-16S.kicad\_sch

**Title: SparkFun Audio Player Breakout MY1690X-16S**

Size: USLetter Date: 2025-02-18

Rev: v10

KiCad E.D.A. 9.0.0-rc2-146-g68b3f66cd3

Id: 1/1