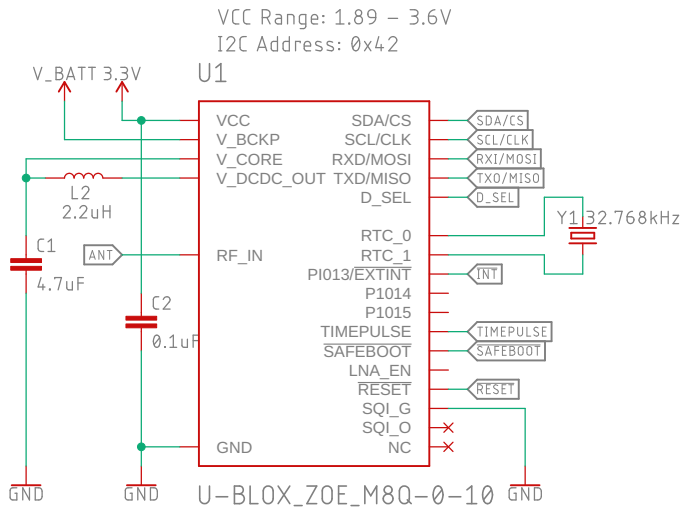
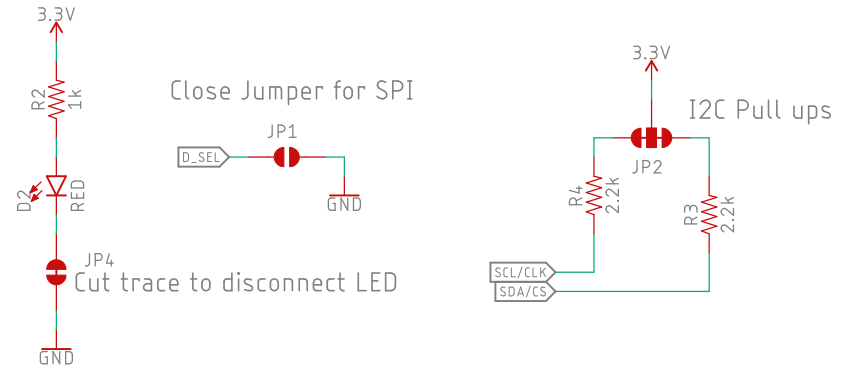


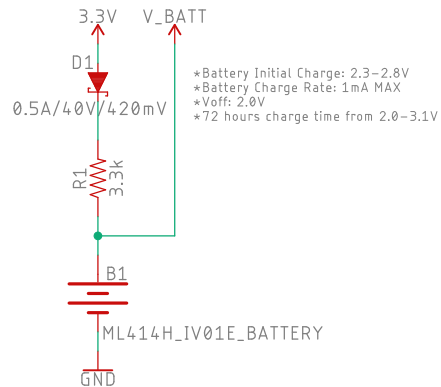
GPS Module: u-blox ZOE-M8Q-0-10



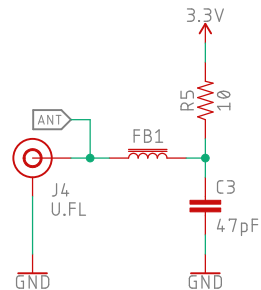
Jumpers



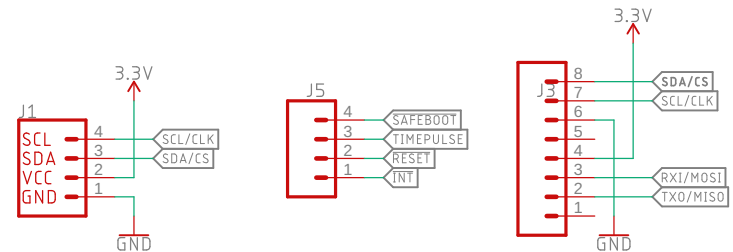
Battery



u.FL Connector



Connectors



sparkfun


open hardware

Released under the Creative Commons
Attribution Share-Alike 4.0 License
<https://creativecommons.org/licenses/by-sa/4.0/>



TITLE: SparkFun_ZOE-M8Q GPS

Special Instructions

Design by: Elias Santistevan

REV:
v10

Date: 4/7/2022 9:51 AM

Sheet: 1/1