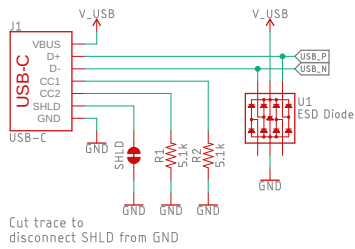
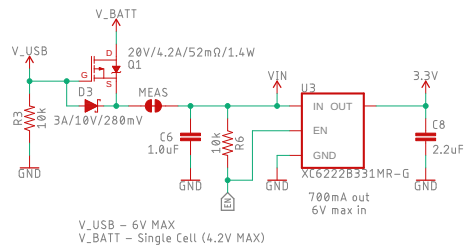


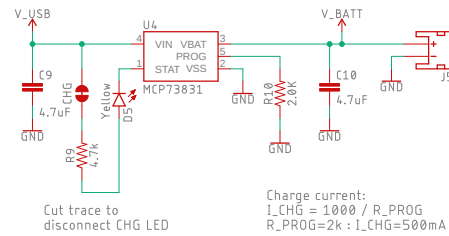
USB-C Input



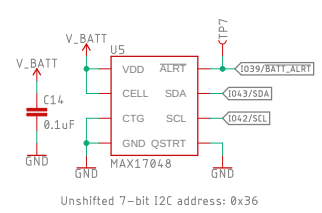
System Regulator



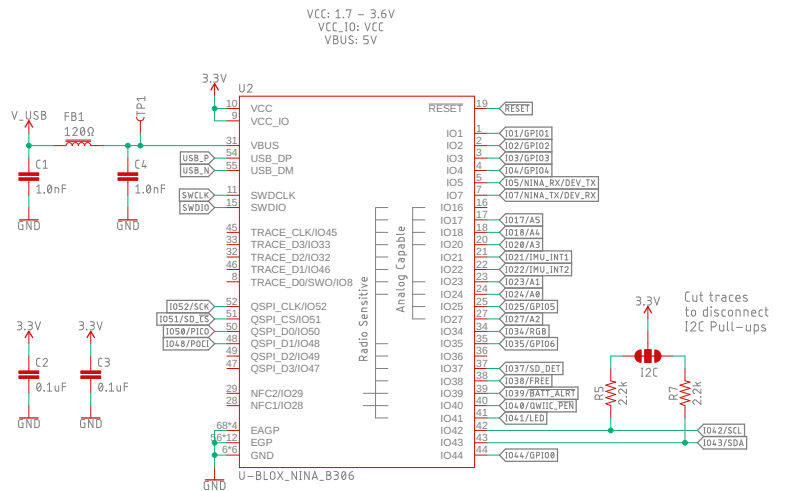
Battery Charger



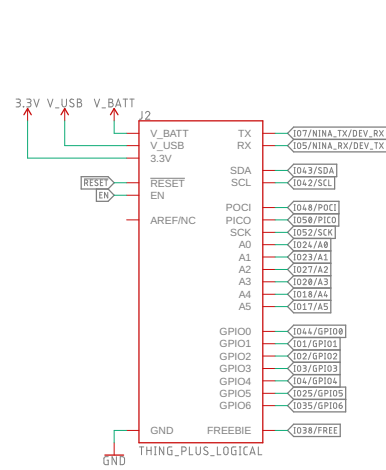
Fuel Gauge



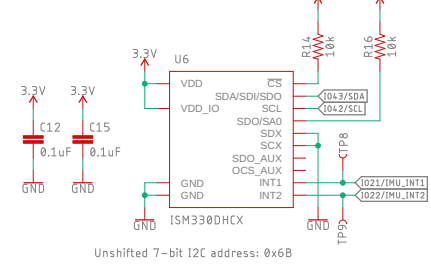
u-Blox NINA-B306



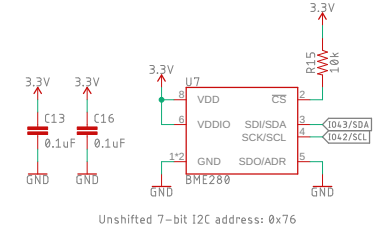
ThingPlus Form Factor



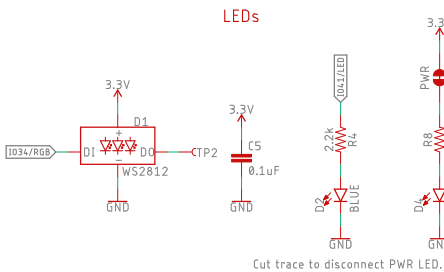
ISM330DHCX 6DoF IMU



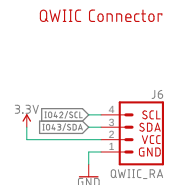
BME280 Environmental Sensor



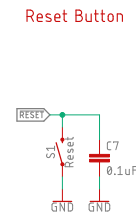
LEDs



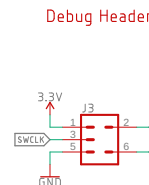
QWIIC Connector



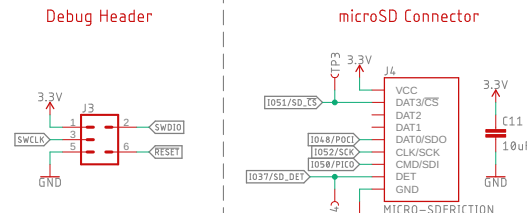
Reset Button



Debug Header



microSD Connector



Released under the Creative Commons Attribution Share-Alike 4.0 License
<https://creativecommons.org/licenses/by-sa/4.0/> THIS IS A FOUR-LAYER BOARD!

TITLE: SparkFun_Thing_Plus_NINA-B306

Design by: Alex Brudner

REV: v10

Date: 1/9/2023 12:52 PM

Sheet: 1/1