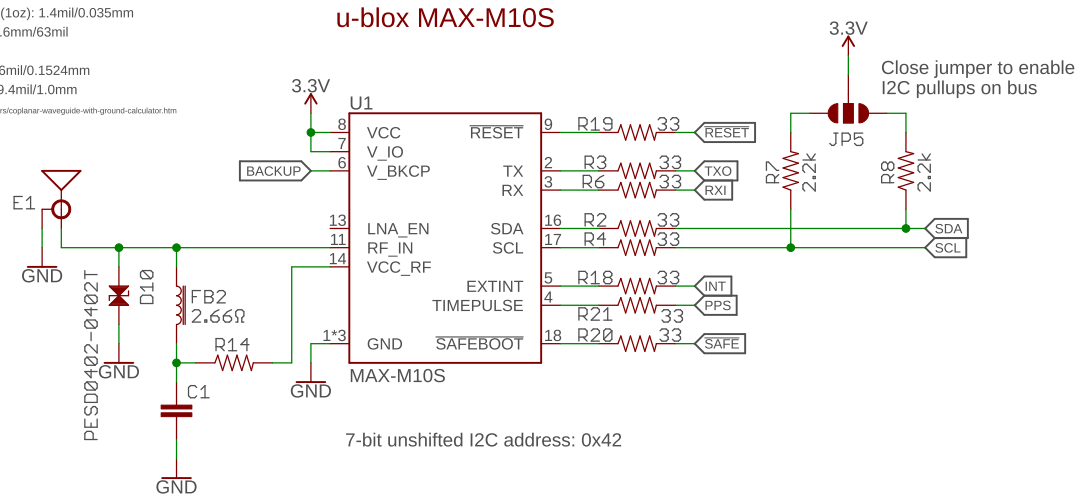
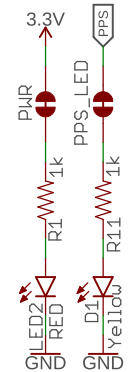


Coplanar Waveguide Calculation:
 2-Layer
 Copper Thickness (1oz): 1.4mil/0.035mm
 Board thickness: 1.6mm/63mil
 Er: 4.6
 Polygon Isolation: 6mil/0.1524mm
 RF Trace Width: 39.4mil/1.0mm

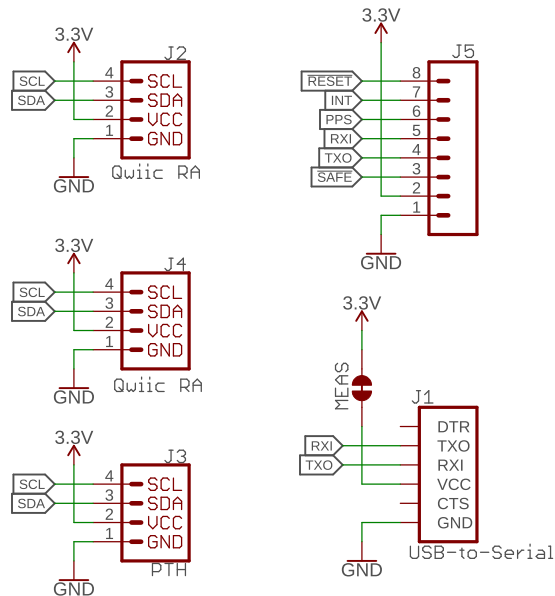
<https://richemandy.com/calculators/coplanar-waveguide-with-ground-calculator.htm>



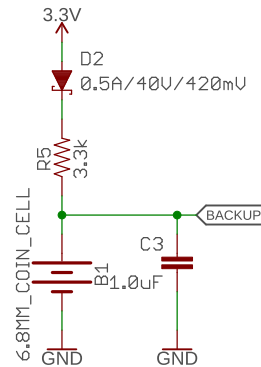
Stat LEDs
 Cut jumper to disable LED



Connections



RTC Backup



Released under the Creative Commons
 Attribution Share-Alike 4.0 License
<https://creativecommons.org/licenses/by-sa/4.0/>



TITLE: SparkFun u-blox GNSS MAX-M10S

Special Instructions

Design by:

REV:
V10

Date: 8/16/2022 12:23 PM

Sheet: 1/1