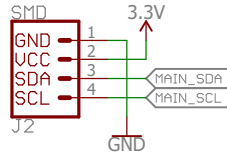
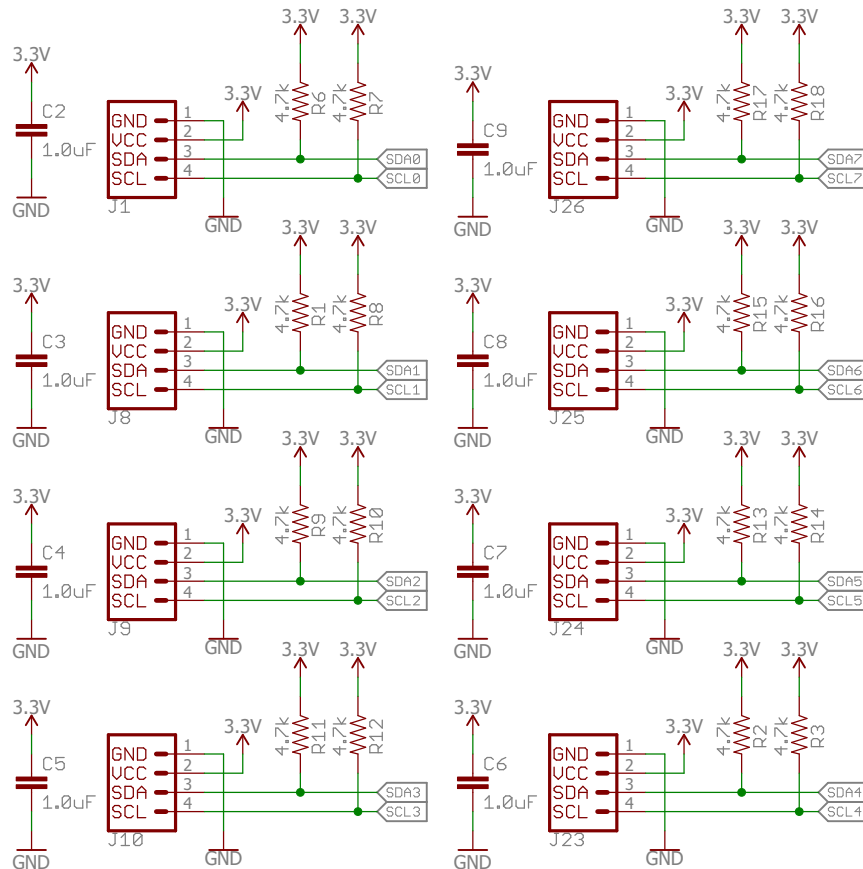


Main

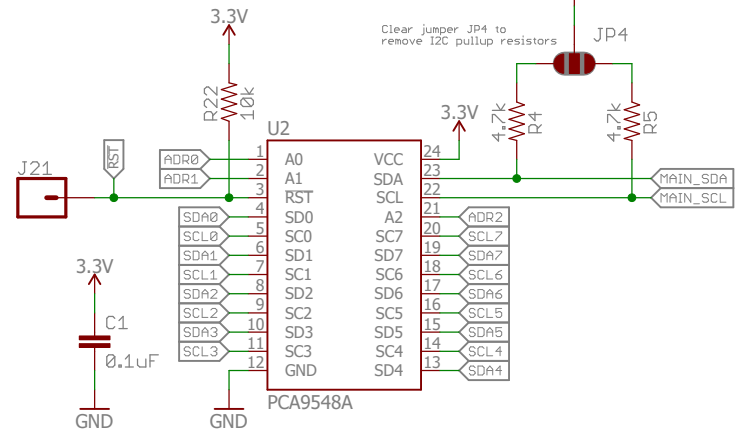
Provides power and data
VIN: 3.3V - Range depends on sensors



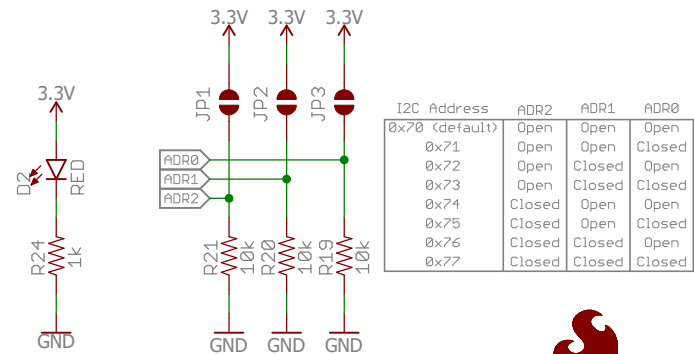
Qwiic Connectors



I2C Multiplex



Default 7-Bit I2C Address: 0x70
ADR lines can be set with below jumpers if multiple multiplexers are needed



open hardware

sparkfun

Released under the Creative Commons Attribution Share-Alike 4.0 License
<https://creativecommons.org/licenses/by-sa/4.0/>



TITLE: SparkFun Qwiic Mux Breakout

Design by: N. Seidle
Revision By: A. England

REV:
v1.0

Date: 7/9/2018 3:47 PM

Sheet: 1/1