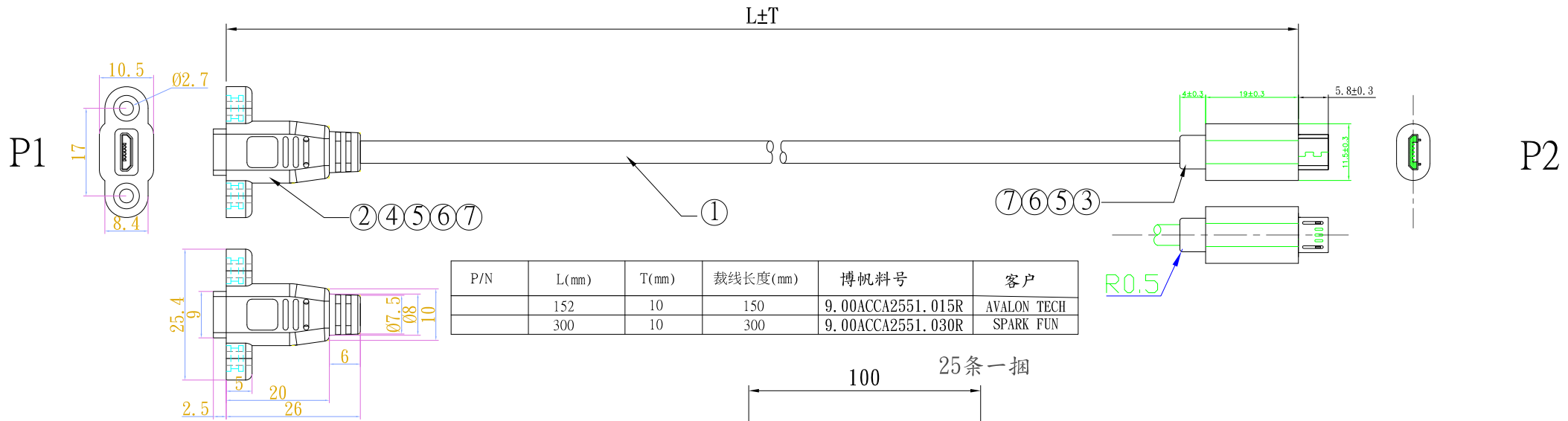


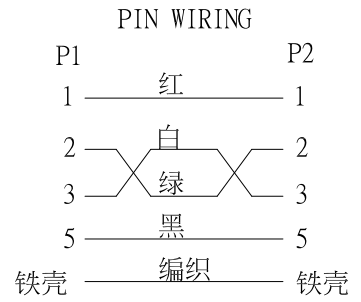
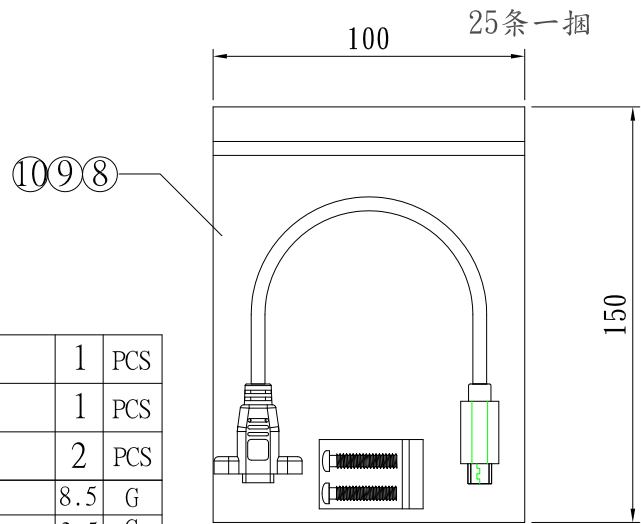
REV	ECRN	DATE
1	NEW PRODUCTION	20200310
2	追加包装方式	20200618
3	添加模具尺寸	20240725



P/N	L(mm)	T(mm)	裁线长度(mm)	博帆料号	客户
	152	10	150	9.00ACCA2551.015R	AVALON TECH
	300	10	300	9.00ACCA2551.030R	SPARK FUN

模具编号：P-358 P-359 P-272 P-57-1

- NOTES:
- ELECTRICAL TEST: 100% OPEN, SHORT & MIS WIRE TEST.
 - CONTACT RESISTANCE: 10 ohm,
 - INSULATOR RESISTANCE: 5M ohm.
 - HIGH VOLTAGE: DC 300V 0.01sec.
 - MUST BE ROHS COMPLIANT.



NO.	PART NO	ITEM	DESCRIPTION	Q' TY	UNIT
⑩	I0059	PE袋	40*50*0.06MM PE 拉链袋	1	PCS
⑨	I0052	PE袋	100*150*0.06MM PE 拉链袋 红边	1	PCS
⑧	G0010	螺丝	M3 3*14MM HEX NUT	2	PCS
⑦	C0002	胶料	PVC 45P 黑色	8.5	G
⑥	C0001	胶料	PE	2.5	G
⑤	J0007	锡丝	锡丝 OD:0.8MM	1.0	G
④	G0011	螺母	M3 螺母: M3*5.5*2.38mm	2	PCS
③	B0151	连接器	MICRO USB 5P公头 铁壳镀镍 黑色胶芯 超薄短体	1	PCS
②	B0450	连接器	MICRO USB 5P 母座 铁壳镀镍 黑色胶芯+黑色护套	1	PCS
①	A0085	线材	UL2725 28AWG(7/0.12TC)*1P+28AWG(7/0.12TC)*2C+AL+B(32/0.10CCS) 外被 PVC 60P 黑色 OD:4.0±0.1mm	1	PCS

RoHS COMPLIANT		东莞市博帆科技有限公司	
		Dongguan Bofan Technology Co., Ltd. TEL:076938835098/38835095 FAX:076938835091	
DRAWN BY	谢建军	20200618	比例: FREE
CHECKED BY			TITLE: MICRO USB B/F 5P B TO MICRO USB B/M 5P B
APPROVED BY			单位: mm
			CUSTOMER'S ITEM: 9.00ACCA2551.***R
			CUSTOMER'S ITEM:
		DRAWING NO. ACCA-2551	DATE 2020.06.18