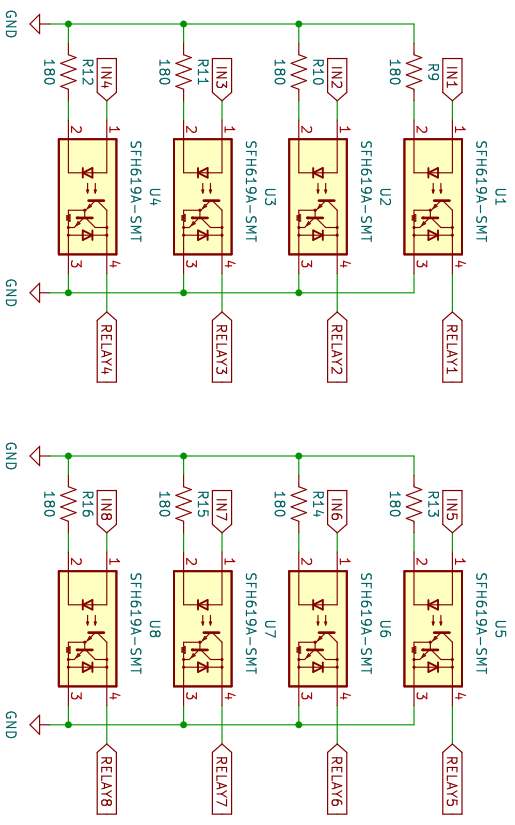
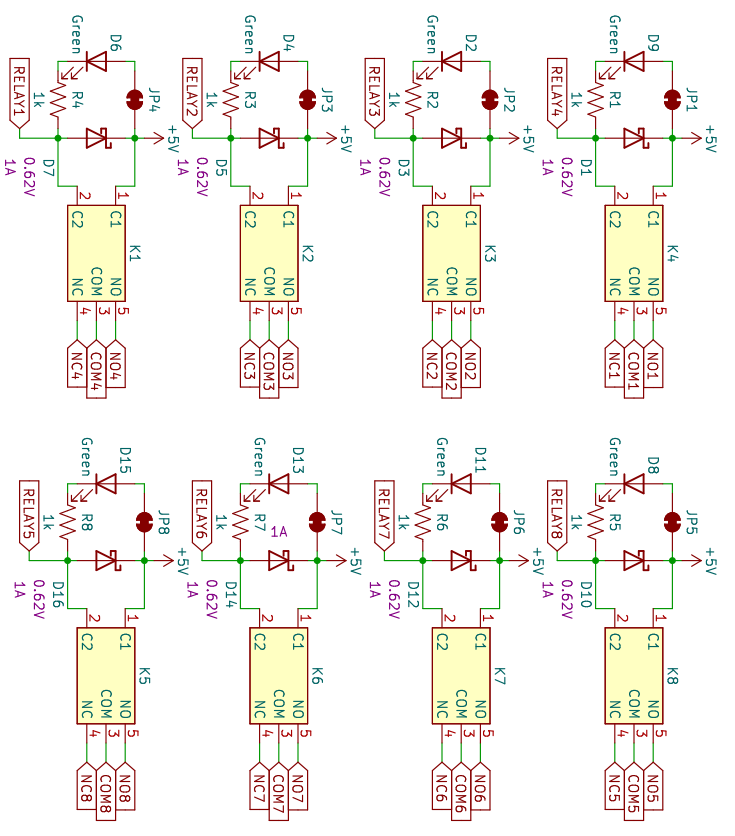


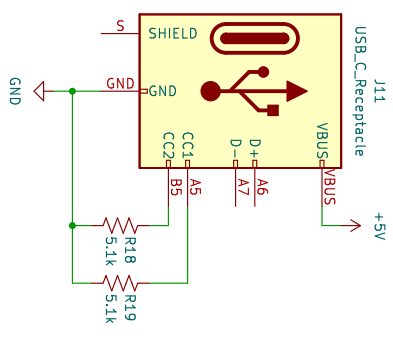
Darlington Output Photocouplers



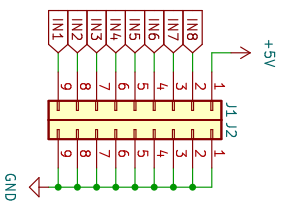
Relays



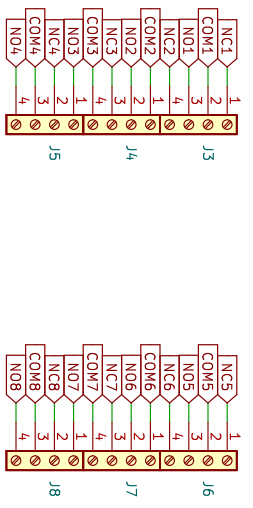
USB Power Connector



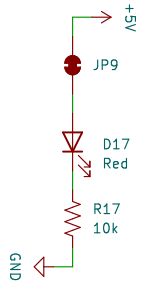
Input Headers



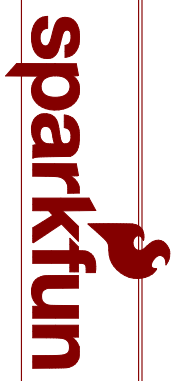
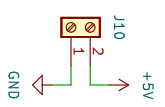
Output Terminals



Power LED



5VDC Input Header



Ordering Instructions

Designed by: Nick P

Sheet: /
File: 8_Relay_Board.kicad_sch

Title: **8 Relay Control Board**

Size: USLetter Date: 2023-07-28

Kicad E.D.A. eeschema 7.0.6

Rev: **x10**

Id: 1/1