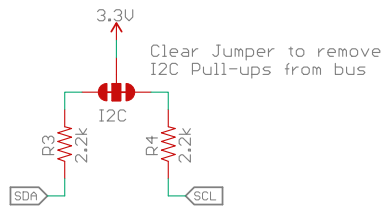
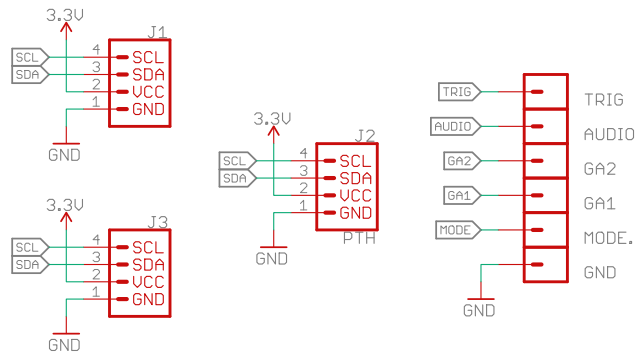


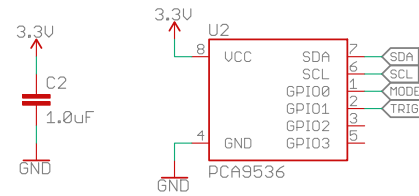
LEDs



I2C



Connectors

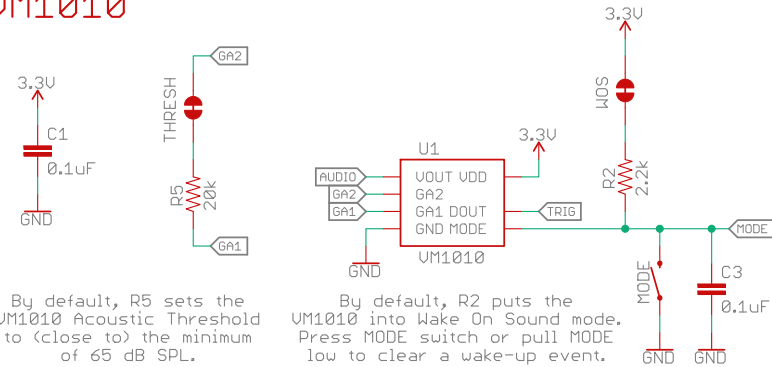


At power on, the PCA9536 pins are inputs with weak (100K) pullup.

7-bit Unshifted I2C Address: 0x41

PCA9536

UM1010



open hardware

SPARK X

Special Instructions
Special Instructions

Released under the Creative Commons Attribution Share-Alike 4.0 License
<https://creativecommons.org/licenses/by-sa/4.0/>



TITLE: Qwiic Sound Trigger

Design by: Paul Clark

REV:
X01

Date: 26/01/2021 08:54

Sheet: 1/1