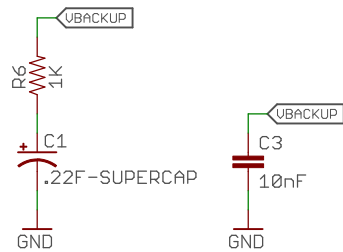


SuperCapacitor Power Backup

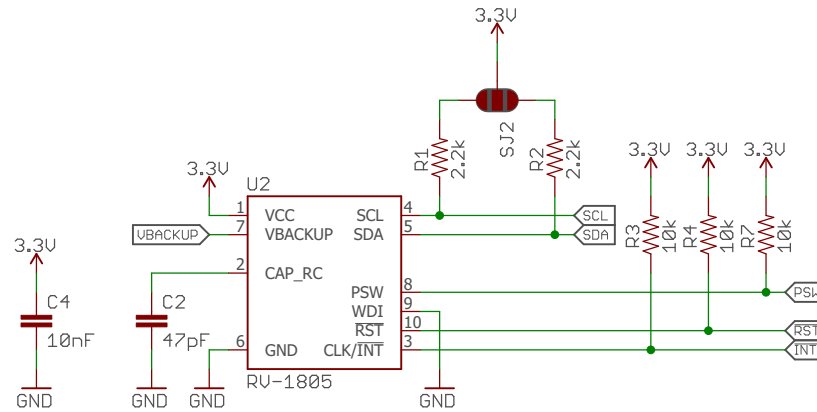


With R6 and internal ROUT set to 3K, and Diode to 0.3V, VBACKUP will trickle charge at 750uA.

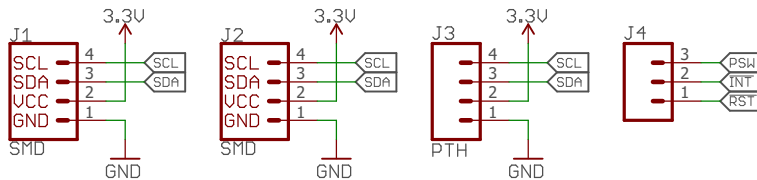
Supercap will be charged to capacity in approximately 8 minutes

At 60nA supercap should maintain RTC for 60+ days.
At 22nA supercap should maintain RTC for 170+ days.

RTC Module



Qwiic Connectors/ I2C Interface



SPARK X


open hardware

Released under the Creative Commons Attribution Share-Alike 4.0 License
<https://creativecommons.org/licenses/by-sa/4.0/>



TITLE: Qwiic-RTC

Design b@: England

REV:
X01

Date: 3/5/2018 1:10 PM

Sheet: 1/1