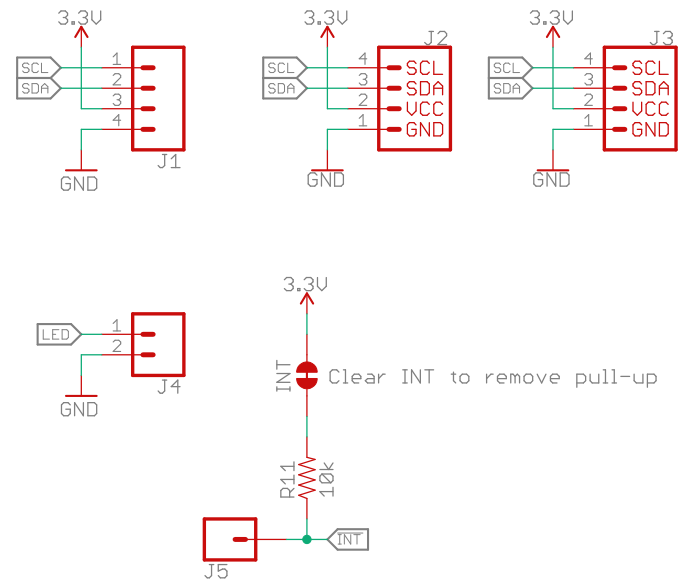


## Connections



7-Bit Unshifted I2C Address  
 Open Jumpers (Default): 0x6F  
 Close jumpers for address 0b.0110.A3 A2 A1 A0  
 Software configurable as well (all jumpers open)



open hardware

Released under the Creative Commons Attribution Share-Alike 4.0 License   
<https://creativecommons.org/licenses/by-sa/4.0/>

TITLE: Qwiic\_Switch

Design by:

REV:  
v10

Date: 1/6/2020 12:57 PM

Sheet: 1/1